

DAKOTA

**EZ CLICK  
READY TO  
ASSEMBLE  
CABINETS**

**EZCLICK**  
CABINETS  
BY TALIWOOD

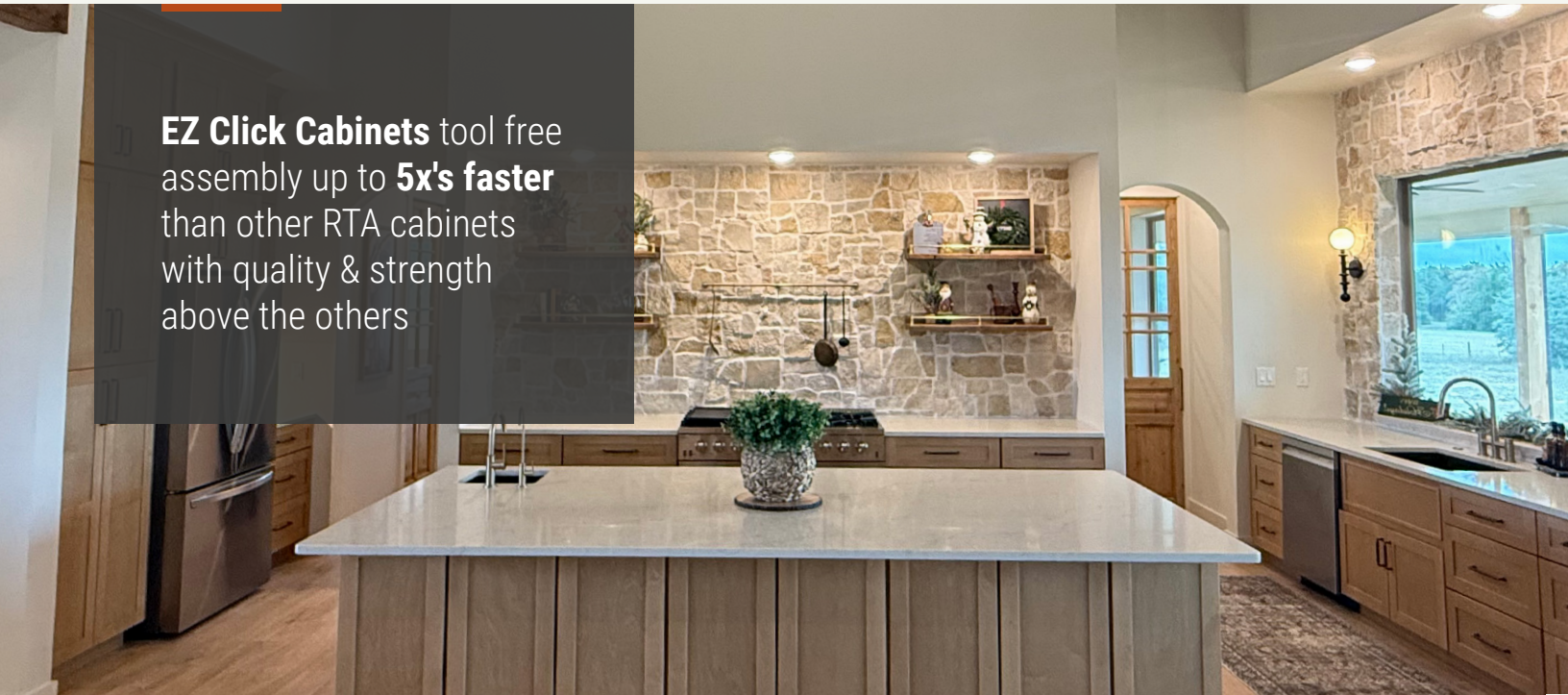




# HARDWARE THAT DEFINES YOUR CABINETS

Turn to **page 38** to complement your cabinet choice with the perfect pairing of designer's quality knobs and pulls

**EZ Click Cabinets** tool free assembly up to **5x's faster** than other RTA cabinets with quality & strength above the others



## CABINET SPECIFICATIONS



# DOOR STYLE



Forte Mist



Forte Clay



Forte Harvest



Forte Glacier



Sedona Leaf

## FORTE

---

Full Overlay Shaker Style

---

5-piece Door and Drawer Front

---

2-1/2" Door Stiles and Rails

---

2-1/2" Drawer Front Stiles & 2" Rails

---

Flat Center Panel

---

HDF Painted Door components

---

Birch Stained Door Components

---

Rift White Oak Stained Door Components

## SEDONA

*Langmore vanities only*

---

Full Overlay Shaker Style

---

5-piece Door and Drawer Front

---

2" Door Stiles and Rails

---

2" Drawer Front Stiles & 2" Rails

---

Flat Center Panel

---

HDF Painted Door components

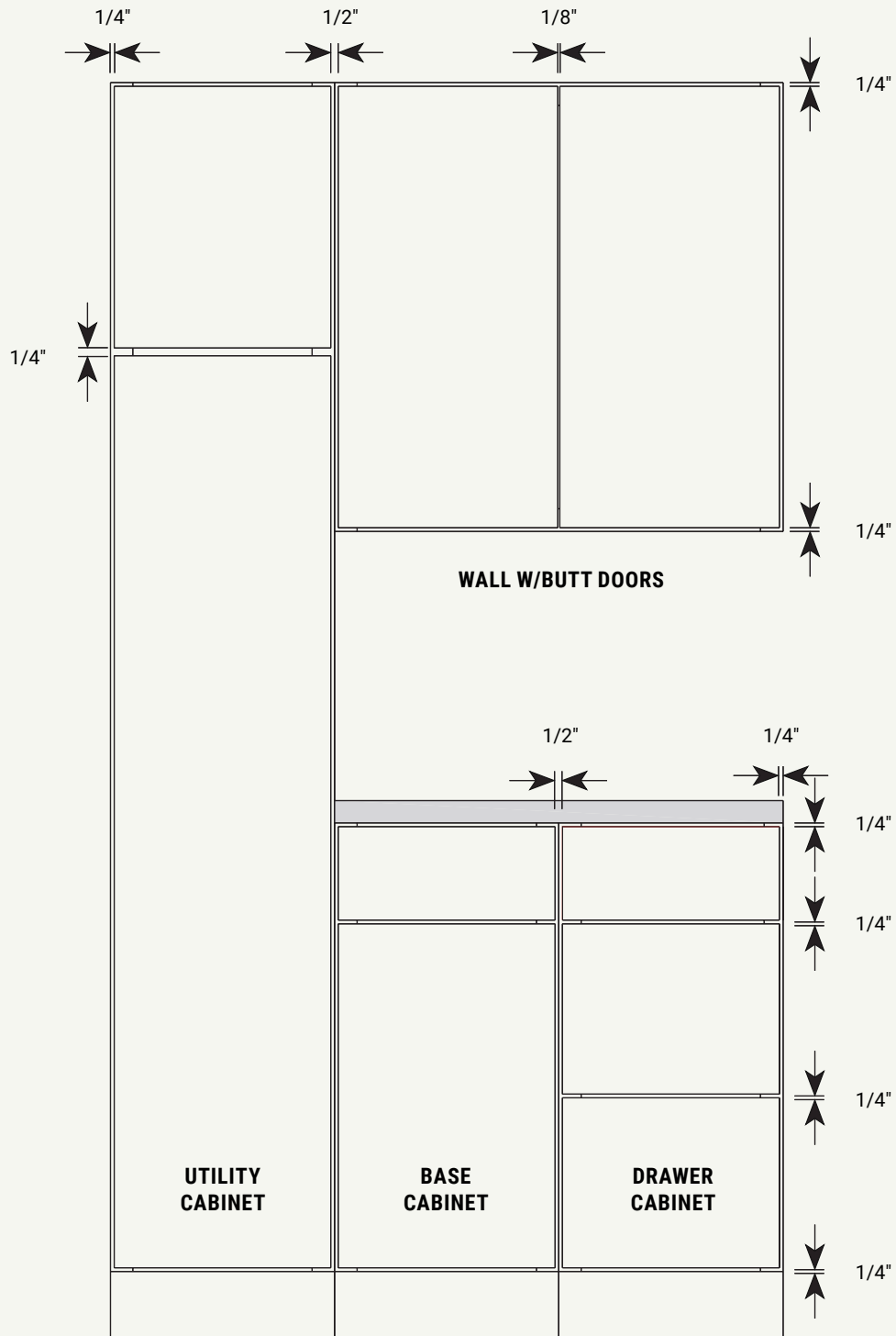
---

Birch Stained Door Components

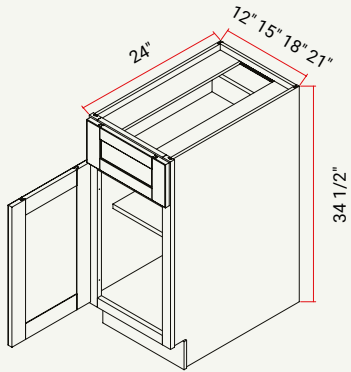
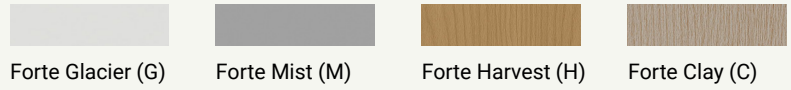
---

Rift White Oak Stained Door Components

# FULL OVERLAY REVELS

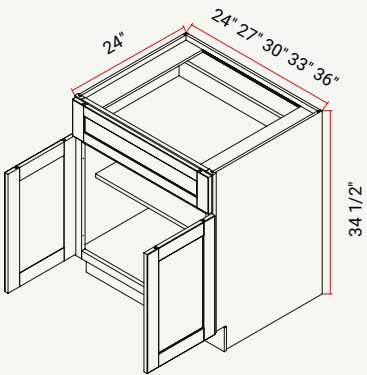


# BASE CABINETS



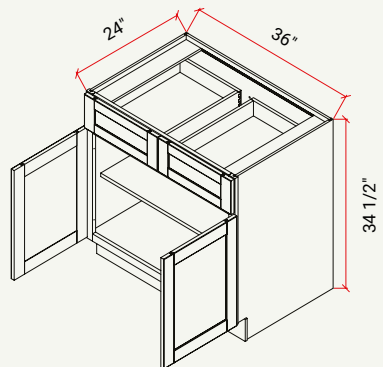
## BASE | L/R DOOR W/ ADJ. SHELF, 1 DRAWER

CABINET	DAKOTA SKU	DESCRIPTION	SIZE		
			W	H	D
B12	CAB12FRF_	Base 12"	12	34.5	24
B15	CAB15FRF_	Base 15"	15	34.5	24
B18	CAB18FRF_	Base 18"	18	34.5	24
B21	CAB21FRF_	Base 21"	21	34.5	24



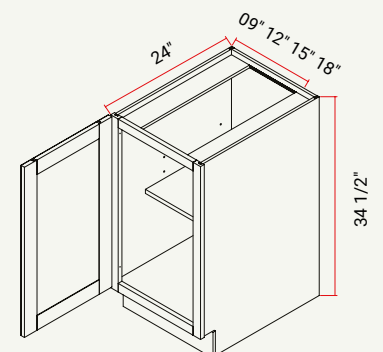
## BASE | BUTT DOORS W/ ADJ. SHELF, 1 DRAWER

CABINET	DAKOTA SKU	DESCRIPTION	SIZE		
			W	H	D
B24	CAB24FRF_	Base 24"	24	34.5	24
B27	CAB27FRF_	Base 27"	27	34.5	24
B30	CAB30FRF_	Base 30"	30	34.5	24
B33	CAB33FRF_	Base 33"	33	34.5	24
B36	CAB36FRF_	Base 36"	36	34.5	24



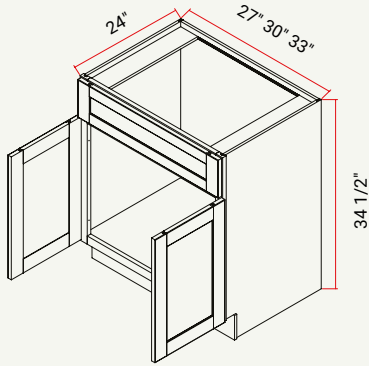
## BASE | BUTT DOORS W/ADJ. SHELF, 2 DRAWERS

CABINET	DAKOTA SKU	DESCRIPTION	SIZE		
			W	H	D
B36	CAB36FRF_	Base 36"	36	34.5	24



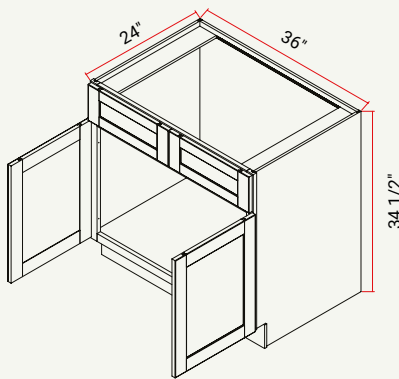
## BASE | FULL HEIGHT L/R DOOR W/ ADJ. SHELF

CABINET	DAKOTA SKU	DESCRIPTION	SIZE		
			W	H	D
B09FHD	CAB09FHDFRF_	Base 09" Full Height Door	9	34.5	24
B12FHD	CAB12FHDFRF_	Base 12" Full Height Door	12	34.5	24
B15FHD	CAB15FHDFRF_	Base 15" Full Height Door	15	34.5	24
B18FHD	CAB18FHDFRF_	Base 18" Full Height Door	18	34.5	24



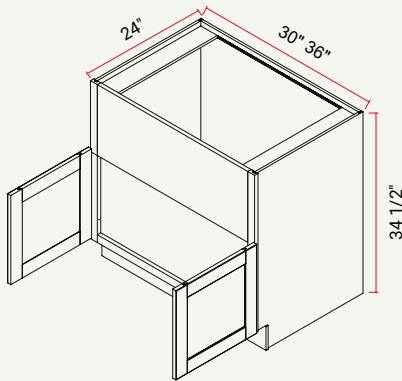
**SINK BASE | BUTT DOORS, 1 FALSE FRONT**

CABINET	DAKOTA SKU	DESCRIPTION	SIZE		
			W	H	D
SB27	CASB27FRF_	Sink Base 27"	27	34.5	24
SB30	CASB30FRF_	Sink Base 30"	30	34.5	24
SB33	CASB33FRF_	Sink Base 33"	33	34.5	24



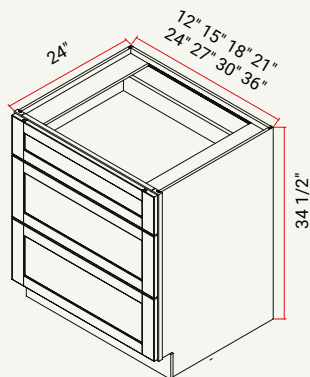
**SINK BASE | BUTT DOORS, 2 FALSE FRONTS**

CABINET	DAKOTA SKU	DESCRIPTION	SIZE		
			W	H	D
SB36	CASB36FRF_	Sink Base 36"	36	34.5	24



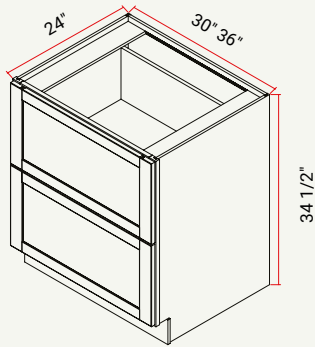
**FARM SINK BASE | BUTT DOORS**

CABINET	DAKOTA SKU	DESCRIPTION	SIZE		
			W	H	D
FSB30	CASB30FRF_	Sink Base 30"	30	34.5	24
FSB36	CASB36FRF_	Sink Base 36"	36	34.5	24



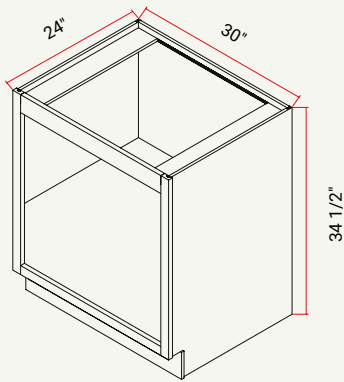
**BASE | 3 DRAWERS**

CABINET	DAKOTA SKU	DESCRIPTION	SIZE		
			W	H	D
3DB12	CA3DB12FRF_	3 Drawer Base 12"	12	34.5	24
3DB15	CA3DB15FRF_	3 Drawer Base 15"	15	34.5	24
3DB18	CA3DB18FRF_	3 Drawer Base 18"	18	34.5	24
3DB21	CA3DB21FRF_	3 Drawer Base 21"	21	34.5	24
3DB24	CA3DB24FRF_	3 Drawer Base 24"	24	34.5	24
3DB27	CA3DB27FRF_	3 Drawer Base 27"	27	34.5	24
3DB30	CA3DB30FRF_	3 Drawer Base 30"	30	34.5	24
3DB36	CA3DB36FRF_	3 Drawer Base 36"	36	34.5	24



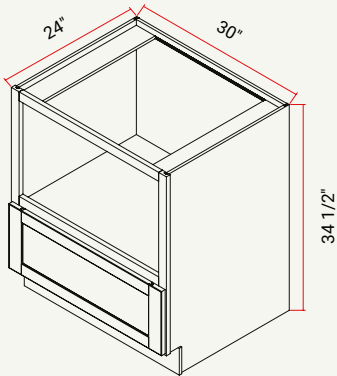
**BASE | 2 DRAWERS**

CABINET	DAKOTA SKU	DESCRIPTION	SIZE		
			W	H	D
2DB30	CA2DB30FRF_	2 Drawer Base 30"	30	34.5	24
2DB36	CA2DB36FRF_	2 Drawer Base 36"	36	34.5	24



**BASE | OVEN**

CABINET	DAKOTA SKU	DESCRIPTION	SIZE		
			W	H	D
BOC30	CABOC30FRF_	Base Oven Cabinet 30"	30	34.5	24



**BASE | MICROWAVE**

CABINET	DAKOTA SKU	DESCRIPTION	SIZE		
			W	H	D
BMC30	CABMC30FRF_	Base Microwave Cabinet 30"	30	34.5	24

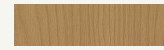
# CORNER WALL AND BASE



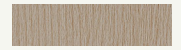
Forte Glacier (G)



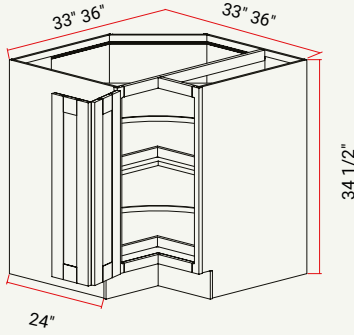
Forte Mist (M)



Forte Harvest (H)

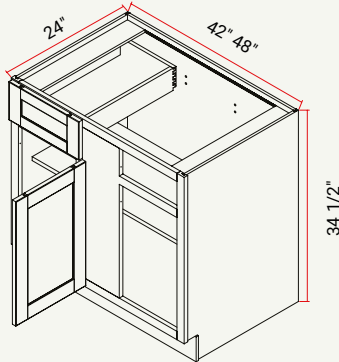


Forte Clay (C)



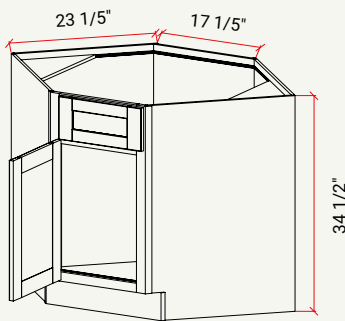
## BASE | CORNER LAZY SUSAN L/R BI-FOLD DOOR

CABINET	DAKOTA SKU	DESCRIPTION	SIZE		
			W	H	D
BLS33	CABLS33FRF_	Base Lazy Susan 33"	15 21	34.5	24
BLS36	CABLS36FRF_	Base Lazy Susan 36"	15 25	34.5	24



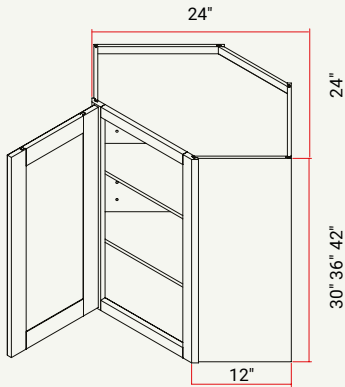
## BASE | BLIND CORNER L/R DOOR

CABINET	DAKOTA SKU	DESCRIPTION	SIZE		
			W	H	D
BBC42	CABBC42FRF_	Blind Base Cabinet 42"	42	34.5	24
BBC48	CABBC48FRF_	Blind Base Cabinet 48"	48	34.5	24



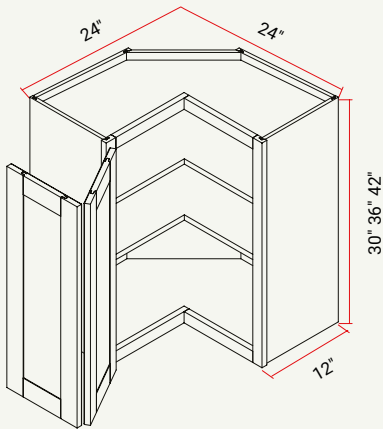
## BASE | CORNER SINK L/R DOOR

CABINET	DAKOTA SKU	DESCRIPTION	SIZE		
			W	H	D
CSB36	CACSB36FRF_	Corner Sink Base 36"	17.5	34.5	23.5



**WALL | CORNER L/R DOOR**

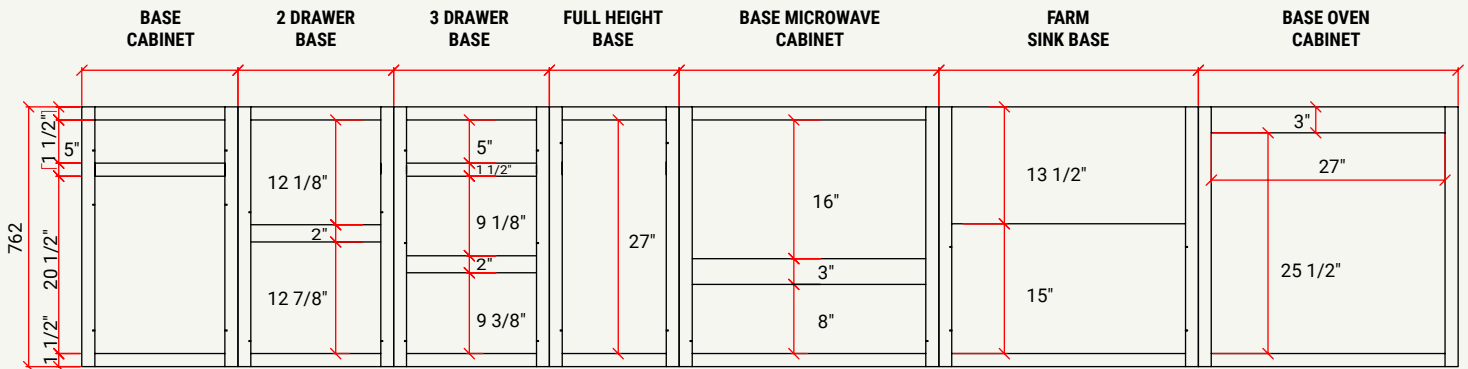
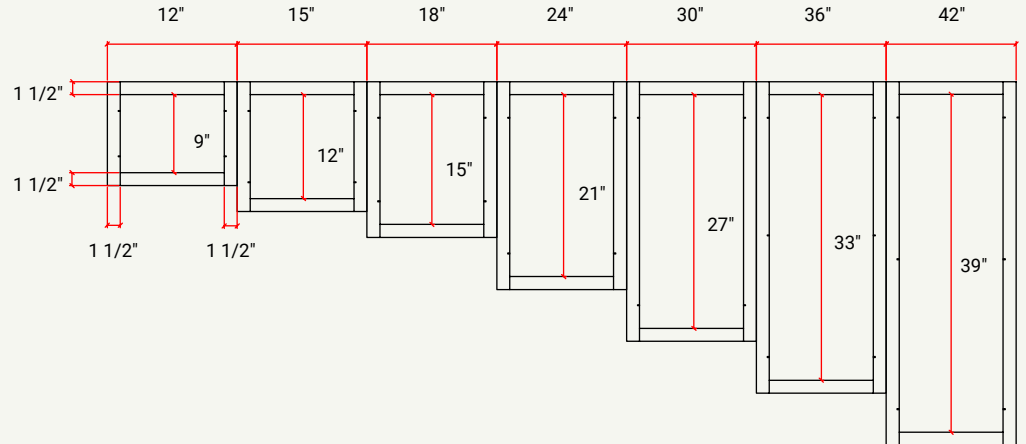
CABINE	DAKOTA SKU	DESCRIPTION	SIZE		
			W	H	D
WDC2430	CADWC2430FRF_	Wall Diagonal Corner 24" x 30" 2 Adj. Shelves	24	30	12
WDC2436	CADWC2436FRF_	Wall Diagonal Corner 24" x 36" 2 Adj. Shelves	24	36	12
WDC2442	CADWC2442FRF_	Wall Diagonal Corner 24" x 42" 3 Adj. Shelves	24	42	12



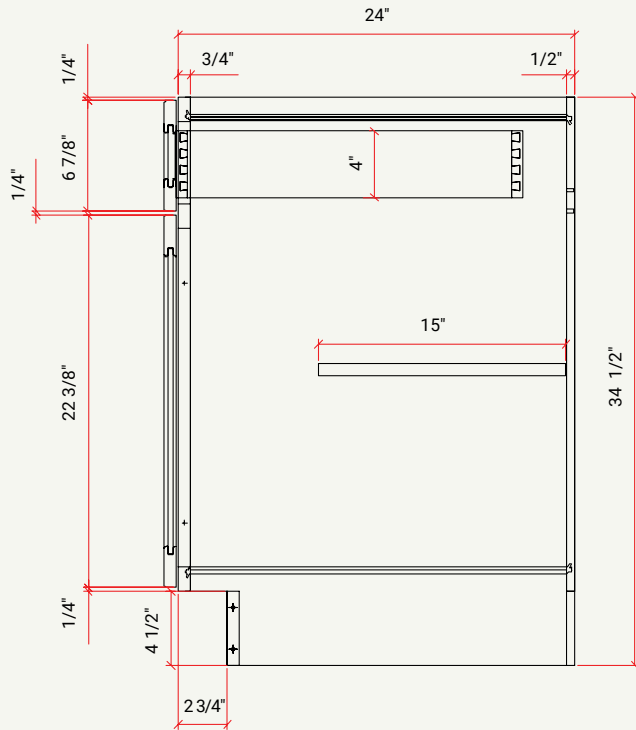
**WALL | SQUARE CORNER L/R DOOR**

CABINET	DAKOTA SKU	DESCRIPTION	SIZE		
			W	H	D
WSC2430	CAWSC2430FRF_	Wall Square Corner 24" x 30" 2 Adj. Shelves	24	30	12
WSC2436	CAWSC2436FRF_	Wall Square Corner 24" x 36" 2 Adj. Shelves	24	36	12
WSC2442	CAWSC2442FRF_	Wall Square Corner 24" x 42" 3 Adj. Shelves	24	42	12

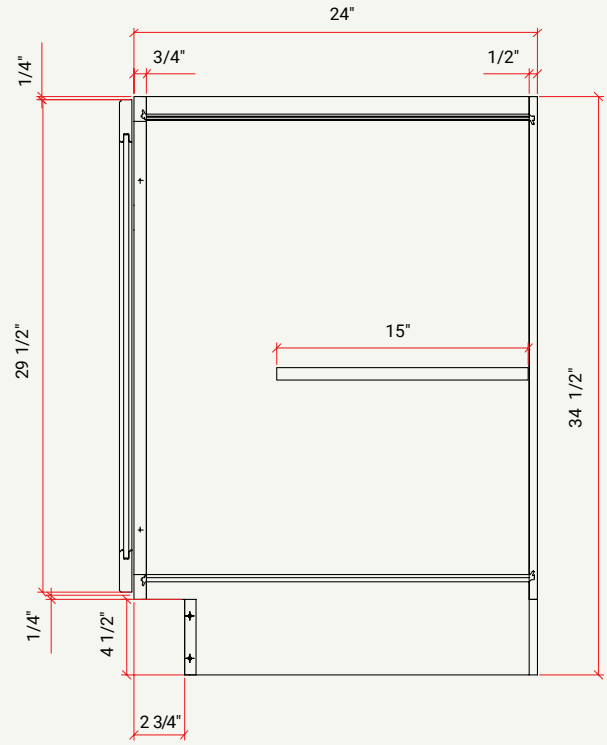
# FACE FRAME DRAWINGS BASE-WALL



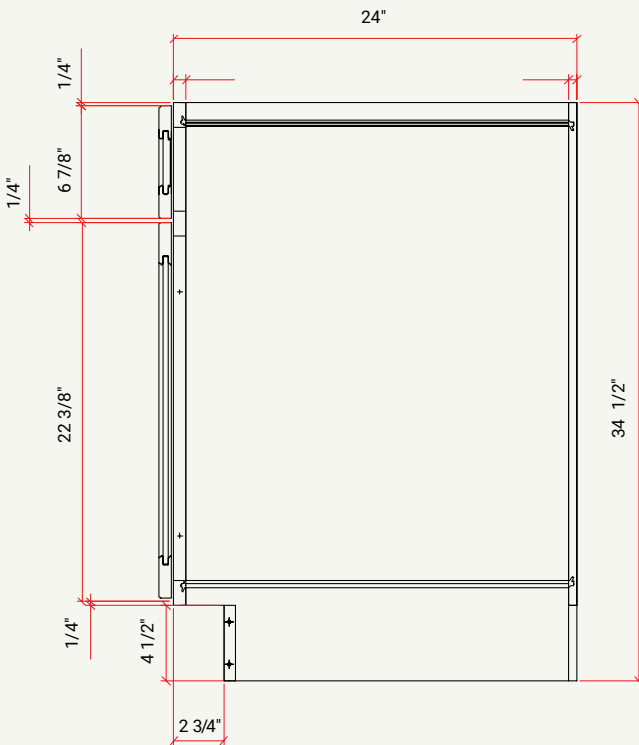
# BASE CABINET SPECIFICATION



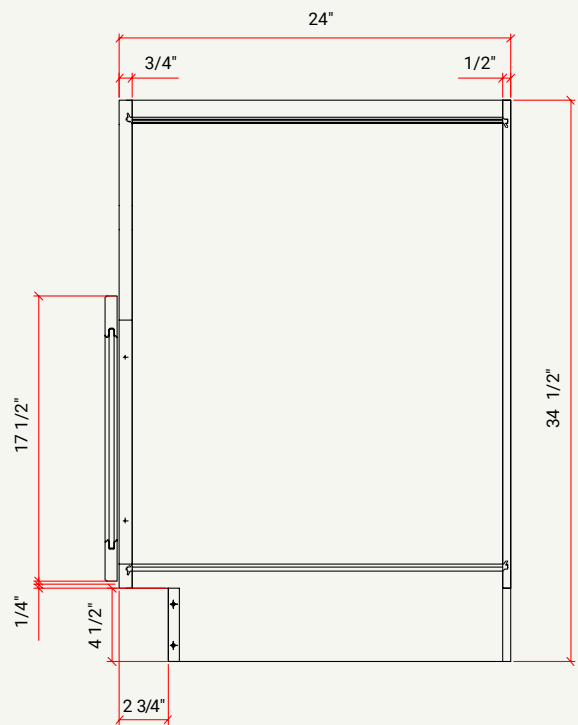
Base Cabinet



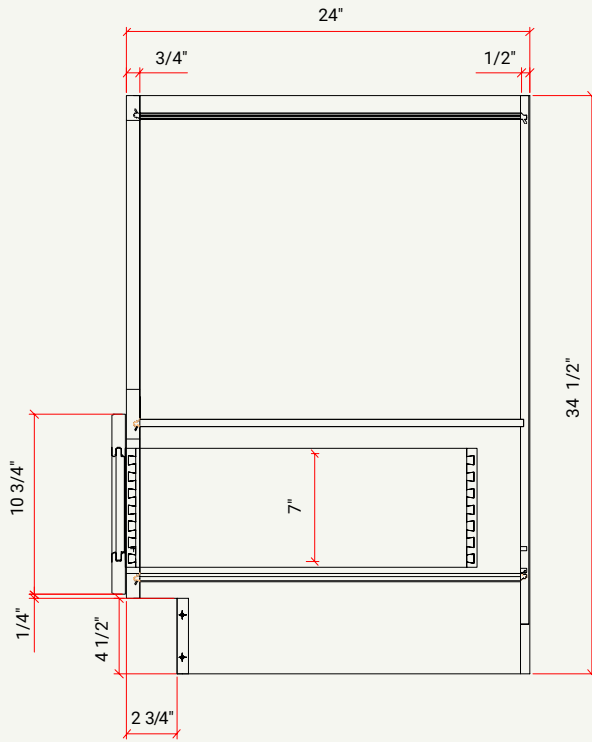
Full Height Door Base Cabinet



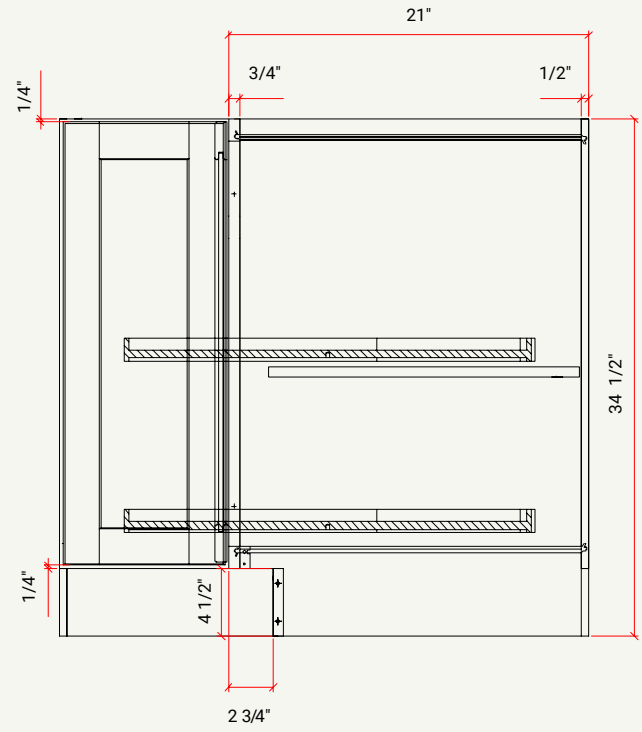
Sink Base Cabinet



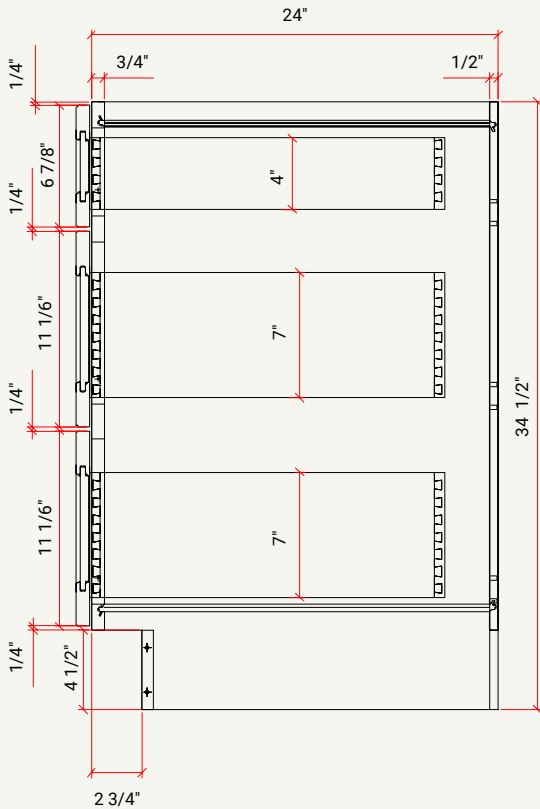
Farm Sink Base Cabinet



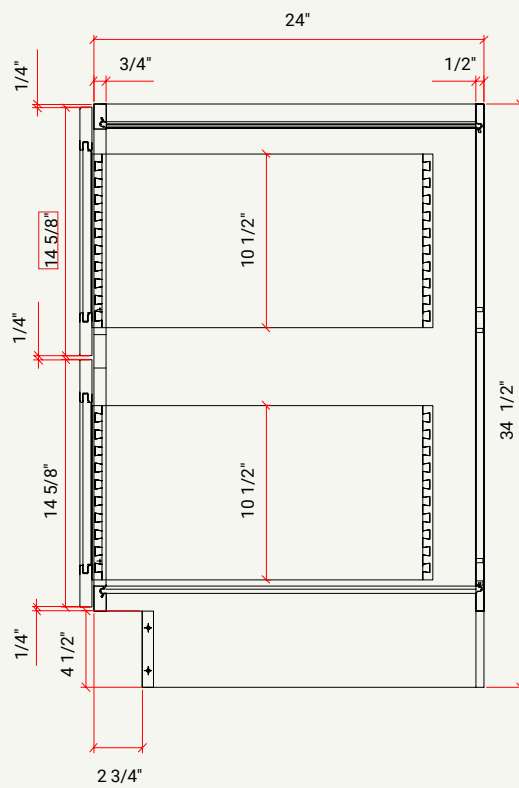
Microwave Base Cabinet



Base Lazy Susan Cabinet



3 Drawer Base Cabinet

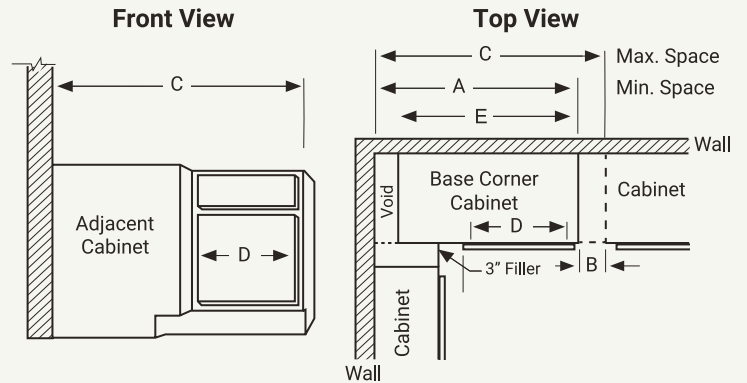


2 Drawer Base Cabinet

# BASE BLIND CORNER CABINET SPACE REQUIREMENTS

SKU	A MIN. SPACE	B MAX. PULL	C MAX. SPACE	D CABINET OPENING	E ACTUAL CABINET
BBC42	42" (6" pull off wall)	3"	45" (9" pull off wall)	12"	36"
BBC48	45" (3" pull off wall)	3"	48" (6" pull off wall)	15"	42"

- Actual cabinet size is not the size indicated in the SKU. Refer to info above for sizes.
- Remember to use 3" filler on adjacent cabinets.
- Min. space dimension includes 3" pull for door and drawer clearance on adjacent cabinet.
- The adjacent run of cabinets will cover the void.



# BASE APPLIANCE CABINET CUT-OUTS

SKU	OPENING WIDTH	MAX CUT OUT WIDTH	OPENING HEIGHT	MAX CUT OUT HEIGHT
BOC30	27"	28-1/2"	25-1/2"	27-1/2"
BMC30	27"	28-1/2"	16"	17-3/4"

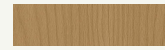
# WALL



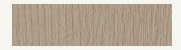
Forte Glacier (G)



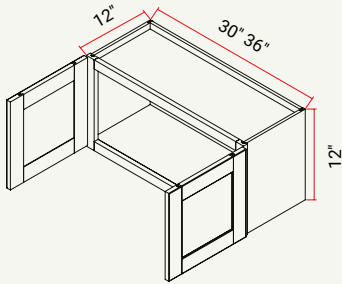
Forte Mist (M)



Forte Harvest (H)

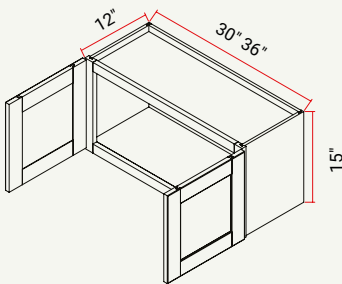


Forte Clay (C)



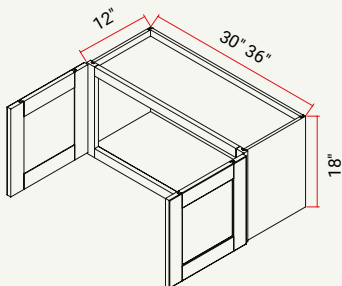
## WALL | 12" BUTT DOORS

CABINET	DAKOTA SKU	DESCRIPTION	SIZE		
			W	H	D
W3012	CAW3012FRF_	Wall 30" x 12"	30	12	12
W3612	CAW3612FRF_	Wall 36" x 12"	36	12	12



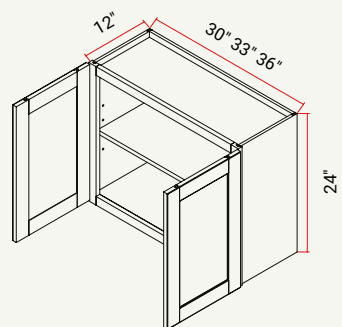
## WALL | 15" BUTT DOORS

CABINET	DAKOTA SKU	DESCRIPTION	SIZE		
			W	H	D
W3015	CAW3015FRF_	Wall 30" x 15"	30	15	12
W3615	CAW3615FRF_	Wall 36" x 15"	36	15	12



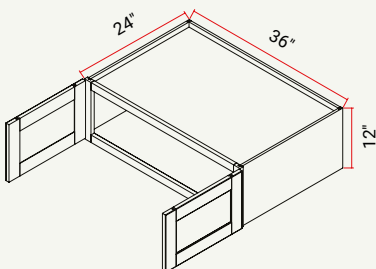
## WALL | 18" BUTT DOORS

CABINET	DAKOTA SKU	DESCRIPTION	SIZE		
			W	H	D
W3018	CAW3018FRF_	Wall 30" x 18"	30	18	12
W3618	CAW3618FRF_	Wall 36" x 18"	36	18	12



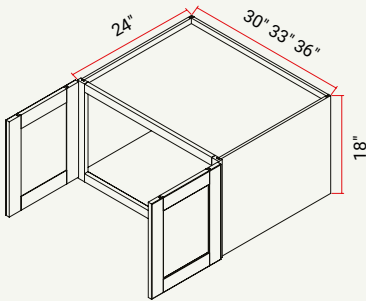
## WALL | 24" BUTT DOORS W/ ADJ. SHELF

CABINET	DAKOTA SKU	DESCRIPTION	SIZE		
			W	H	D
W3024	CAW3024FRF_	Wall 30" x 24"	30	24	12
W3324	CAW3324FRF_	Wall 33" x 24"	33	24	12
W3624	CAW3624FRF_	Wall 36" x 24"	36	24	12



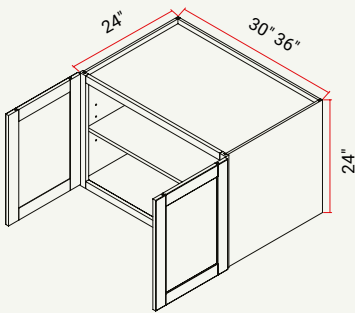
## WALL | 12" H X 24" DEEP BUTT DOORS

CABINET	DAKOTA SKU	DESCRIPTION	SIZE		
			W	H	D
W361224	CAW361224FRF_	Wall 36" x 12" x 24"	36	12	24



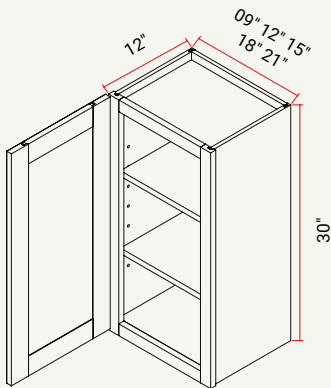
**WALL | 18" H X 24" DEEP BUTT DOORS**

CABINET	DAKOTA SKU	DESCRIPTION	SIZE		
			W	H	D
W301824	CAW301824FRF_	Wall 30" x 18" x 24"	30	18	24
W331824	CAW331824FRF_	Wall 33" x 18" x 24"	33	18	24
W361824	CAW361824FRF_	Wall 36" x 18" x 24"	36	18	24



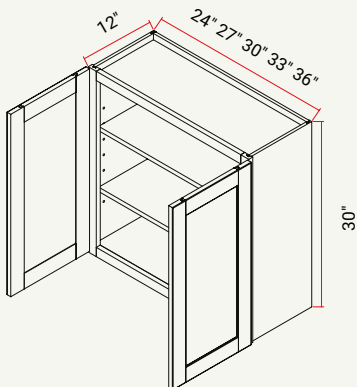
**WALL | 24" H X 24" DEEP BUTT DOORS, W/ 1 ADJ. SHELF**

CABINET	DAKOTA SKU	DESCRIPTION	SIZE		
			W	H	D
W302424	CAW302424FRF_	Wall 30" x 24" x 24"	30	24	24
W362424	CAW362424FRF_	Wall 36" x 24" x 24"	36	24	24



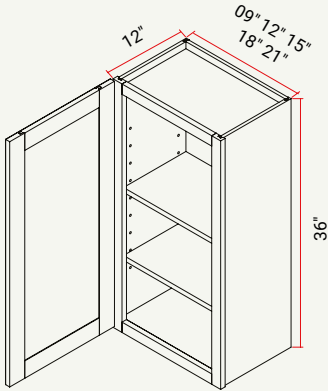
**WALL | 30" H, L/R DOOR, W/ 2 ADJ. SHELVES**

CABINET	DAKOTA SKU	DESCRIPTION	SIZE		
			W	H	D
W0930	CAW0930FRF_	Wall 09" x 30"	9	30	12
W1230	CAW1230FRF_	Wall 12" x 30"	12	30	12
W1530	CAW1530FRF_	Wall 15" x 30"	15	30	12
W1830	CAW1830FRF_	Wall 18" x 30"	18	30	12
W2130	CAW2130FRF_	Wall 21" x 30"	21	30	12



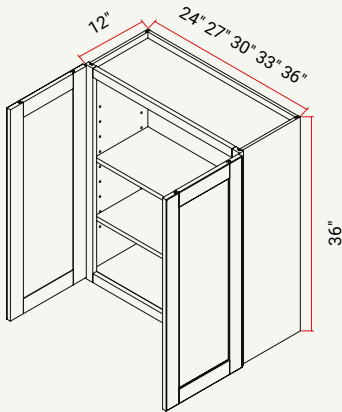
**WALL | 30" H, BUTT DOORS, W/ 2 ADJ. SHELVES**

CABINET	DAKOTA SKU	DESCRIPTION	SIZE		
			W	H	D
W2430	CAW2430FRF_	Wall 24" x 30"	24	30	12
W2730	CAW2730FRF_	Wall 27" x 30"	27	30	12
W3030	CAW3030FRF_	Wall 30" x 30"	30	30	12
W3330	CAW3330FRF_	Wall 33" x 30"	33	30	12
W3630	CAW3630FRF_	Wall 36" x 30"	36	30	12



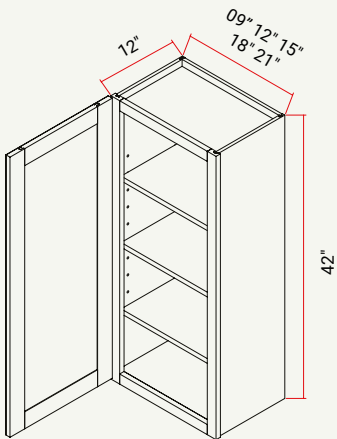
**WALL | 36" H, L/R DOORS, W/ 2 ADJ. SHELVES**

CABINET	DAKOTA SKU	DESCRIPTION	SIZE		
			W	H	D
W0936	CAW0936FRF_	Wall 09" x 36"	9	36	12
W1236	CAW1236FRF_	Wall 12" x 36"	12	36	12
W1536	CAW1536FRF_	Wall 15" x 36"	15	36	12
W1836	CAW1836FRF_	Wall 18" x 36"	18	36	12
W2136	CAW2136FRF_	Wall 21" x 36"	21	36	12



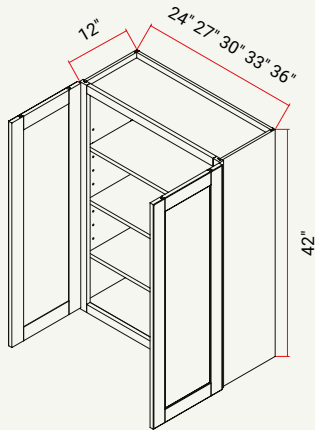
**WALL | 36" H, BUTT DOORS, W/ 2 ADJ. SHELVES**

CABINET	DAKOTA SKU	DESCRIPTION	SIZE		
			W	H	D
W2436	CAW2436FRF_	Wall 24" x 36"	24	36	12
W2736	CAW2736FRF_	Wall 27" x 36"	27	36	12
W3036	CAW3036FRF_	Wall 30" x 36"	30	36	12
W3336	CAW3336FRF_	Wall 33" x 36"	33	36	12
W3636	CAW3636FRF_	Wall 36" x 36"	36	36	12



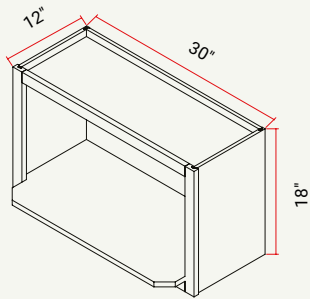
**WALL | 42" H, L/R DOORS, W/ 3 ADJ. SHELVES**

CABINET	DAKOTA SKU	DESCRIPTION	SIZE		
			W	H	D
W0942	CAW0942FRF_	Wall 09" x 42"	9	42	12
W1242	CAW1242FRF_	Wall 12" x 42"	12	42	12
W1542	CAW1542FRF_	Wall 15" x 42"	15	42	12
W1842	CAW1842FRF_	Wall 18" x 42"	18	42	12
W2142	CAW2142FRF_	Wall 21" x 42"	21	42	12



**WALL | 42" H, BUTT DOORS, W/ 3 ADJ. SHELVES**

CABINET	DAKOTA SKU	DESCRIPTION	SIZE		
			W	H	D
W2442	CAW2442FRF_	Wall 24" x 42"	24	42	12
W2742	CAW2742FRF_	Wall 27" x 42"	27	42	12
W3042	CAW3042FRF_	Wall 30" x 42"	30	42	12
W3342	CAW3342FRF_	Wall 33" x 42"	33	42	12
W3642	CAW3642FRF_	Wall 36" x 42"	36	42	12

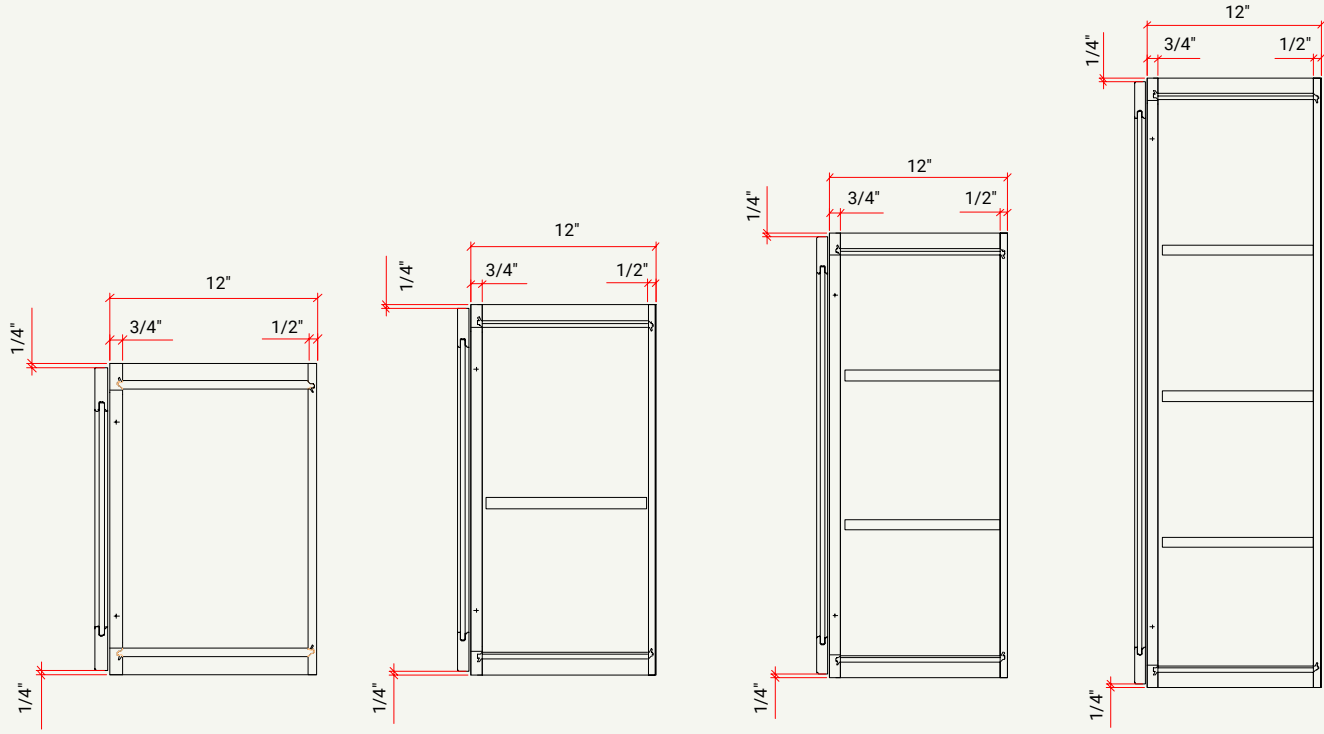


**WALL | MICROWAVE**

CABINET	DAKOTA SKU	DESCRIPTION	SIZE		
			W	H	D
MWC3018	CAMWC3018FRF_	Microwave Wall Cabinet 30" x 18"	30	18	12



# WALL CABINET SPECIFICATIONS

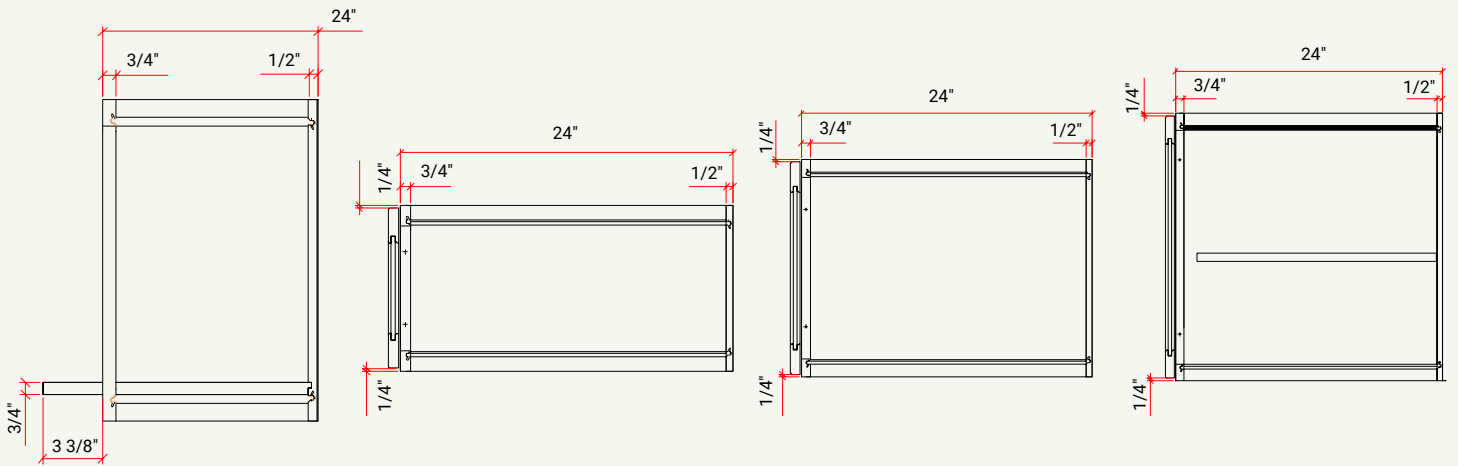


Wall Cabinet 12", 15", 18"

Wall Cabinet 24"

Wall Cabinet 30", 36"

Wall Cabinet 42"



Wall Microwave Cabinet

Wall Cabinet 12" High x 24" Deep

Wall Cabinet 18" High x 24" Deep

Wall Cabinet 24" High x 24" Deep

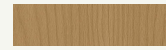
# TALL KITCHEN



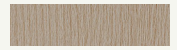
Forte Glacier (G)



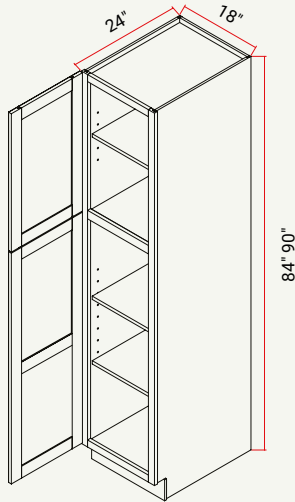
Forte Mist (M)



Forte Harvest (H)

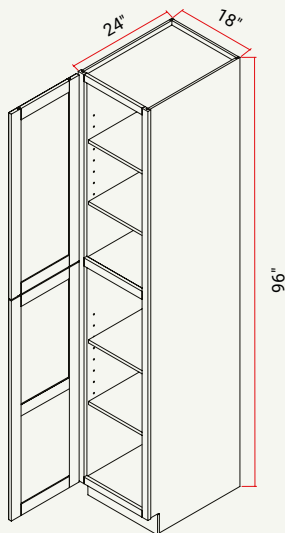


Forte Clay (C)



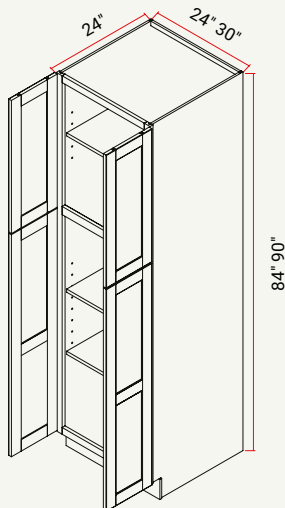
## TALL | PANTRY, L/R DOOR, W/ 3 ADJ. SHELVES

CABINET	DAKOTA SKU	DESCRIPTION	SIZE		
			W	H	D
TP1884	CATP1884FRF_	Tall Pantry 18" x 84"	18	84	24
TP1890	CATP1890FRF_	Tall Pantry 18" x 90"	18	90	24



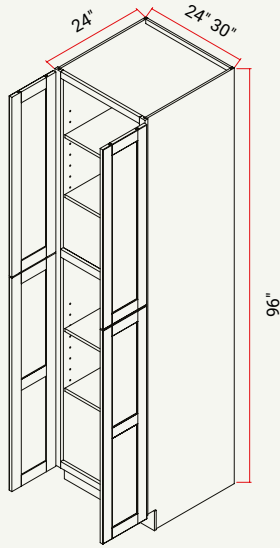
## TALL | PANTRY, L/R DOOR, W/ 4 ADJ. SHELVES

CABINET	DAKOTA SKU	DESCRIPTION	SIZE		
			W	H	D
TP1896	CATP1896FRF_	Tall Pantry 18" x 96"	18	96	24



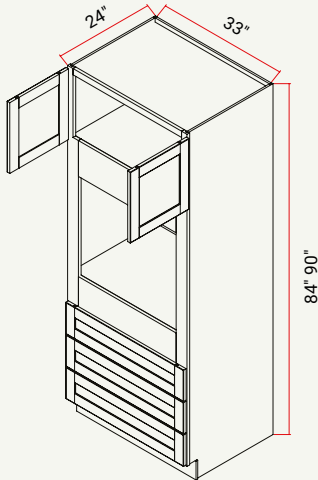
## TALL | PANTRY, BUTT DOORS, W/ 3 ADJ. SHELVES

CABINET	DAKOTA SKU	DESCRIPTION	SIZE		
			W	H	D
TP2484	CATP2484FRF_	Tall Pantry 24" x 84"	24	84	24
TP2490	CATP2490FRF_	Tall Pantry 24" x 90"	24	90	24
TP3084	CATP3084FRF_	Tall Pantry 30" x 84"	30	84	24
TP3090	CATP3090FRF_	Tall Pantry 30" x 90"	30	90	24



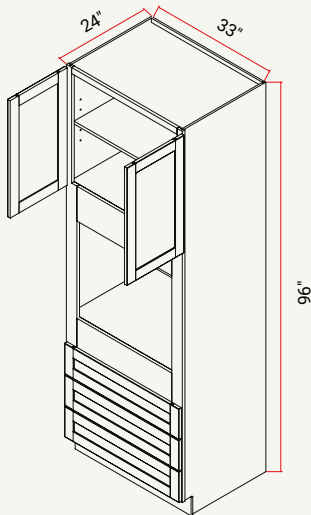
**TALL | PANTRY, BUTT DOORS, W/ 4 ADJ. SHELVES**

CABINET	DAKOTA SKU	DESCRIPTION	SIZE		
			W	H	D
TP2496	CATP2496FRF_	Tall Pantry 24" x 96"	24	96	24
TP3096	CATP3096FRF_	Tall Pantry 30" x 96"	30	96	24



**TALL | OVEN, BUTT DOORS, 3 DRAWERS, NO SHELF**

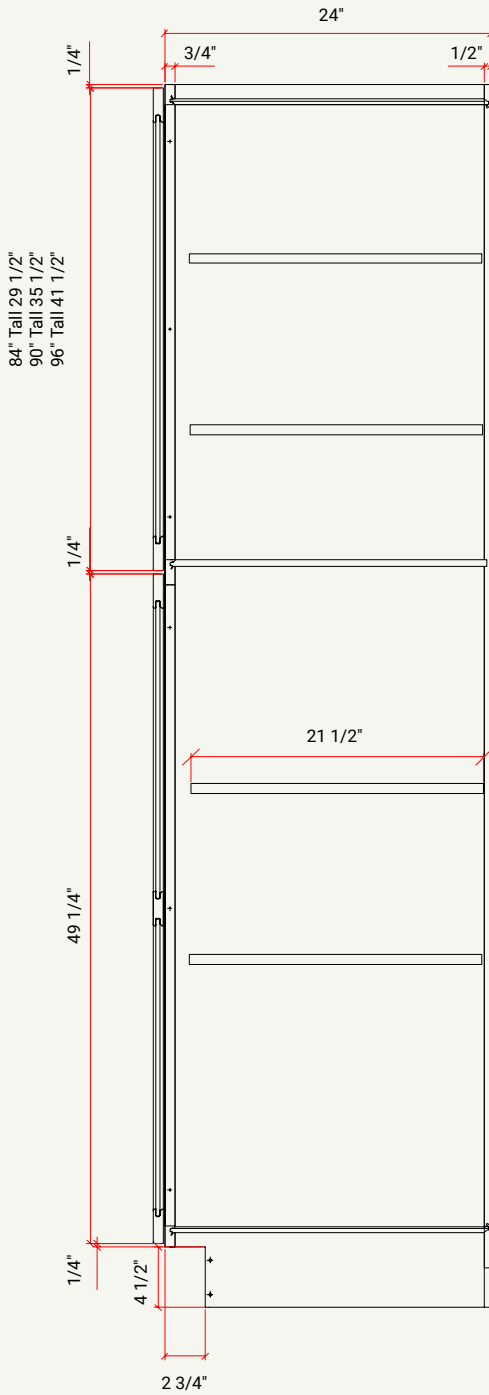
CABINET	DAKOTA SKU	DESCRIPTION	SIZE		
			W	H	D
TOC3384	CATOC3384FRF_	Tall Oven Cabinet 33"x 84"	33	84	24
TOC3390	CATOC3390FRF_	Tall Oven Cabinet 33"x 90"	33	90	24



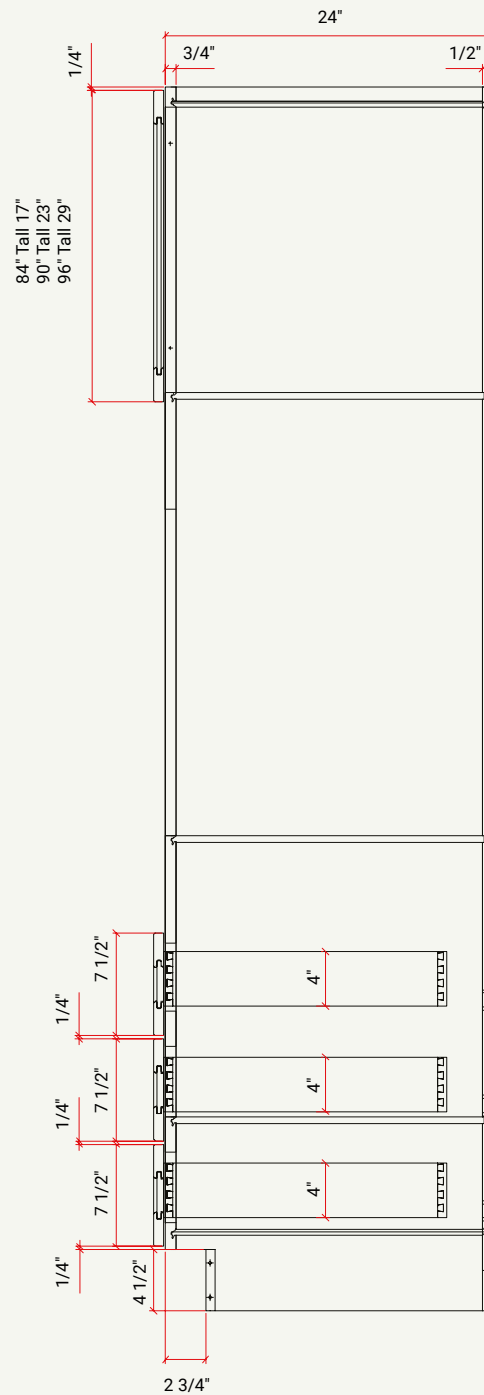
**TALL | OVEN, BUTT DOORS, 3 DRAWERS, W/ 1 ADJ. SHELF**

CABINET	DAKOTA SKU	DESCRIPTION	SIZE		
			W	H	D
TOC3396	CATOC3396FRF_	Tall Oven Cabinet 33"x 96"	33	96	24

# TALL CABINETS SPECIFICATIONS

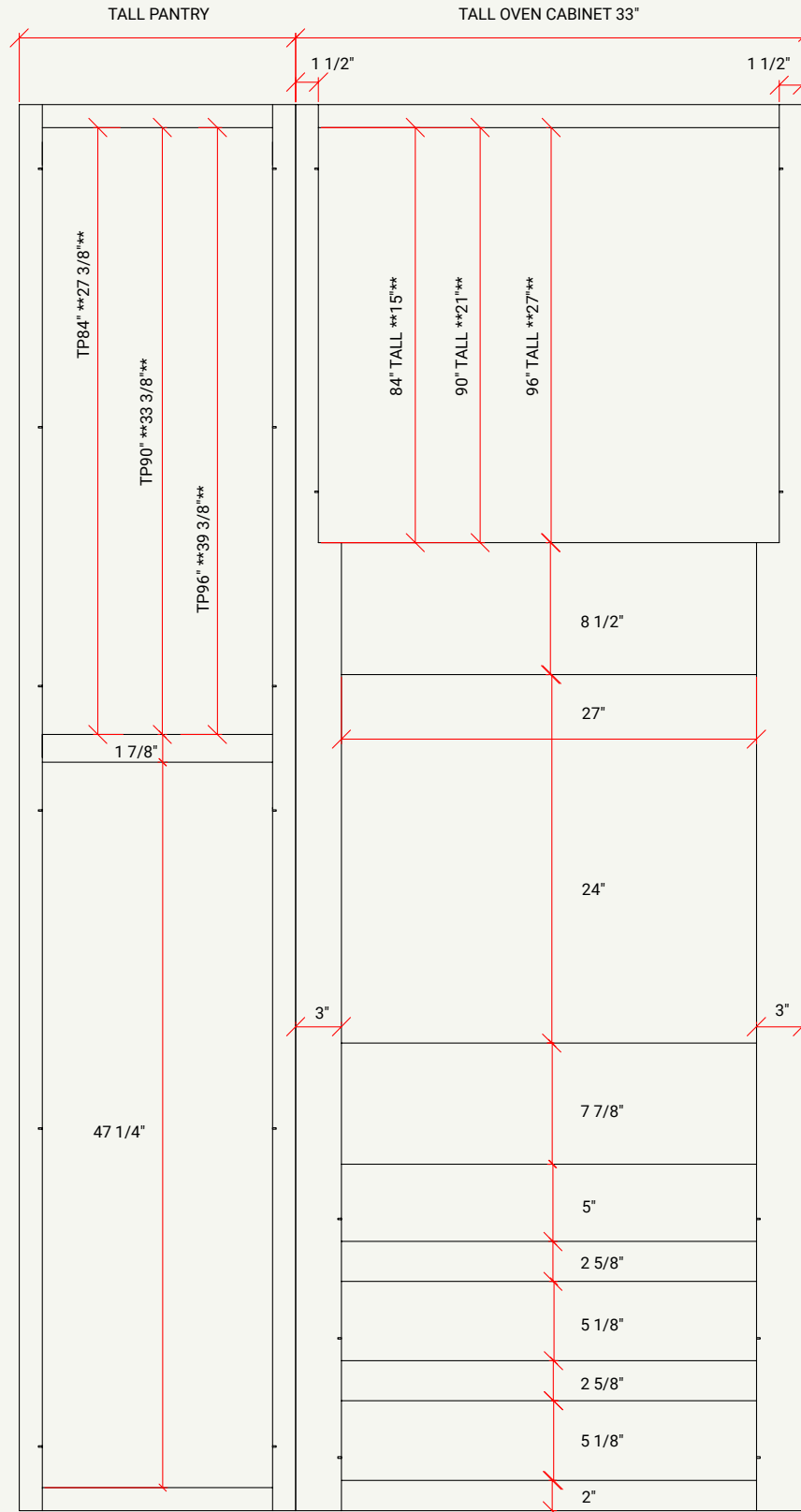


Tall Pantry Cabinet

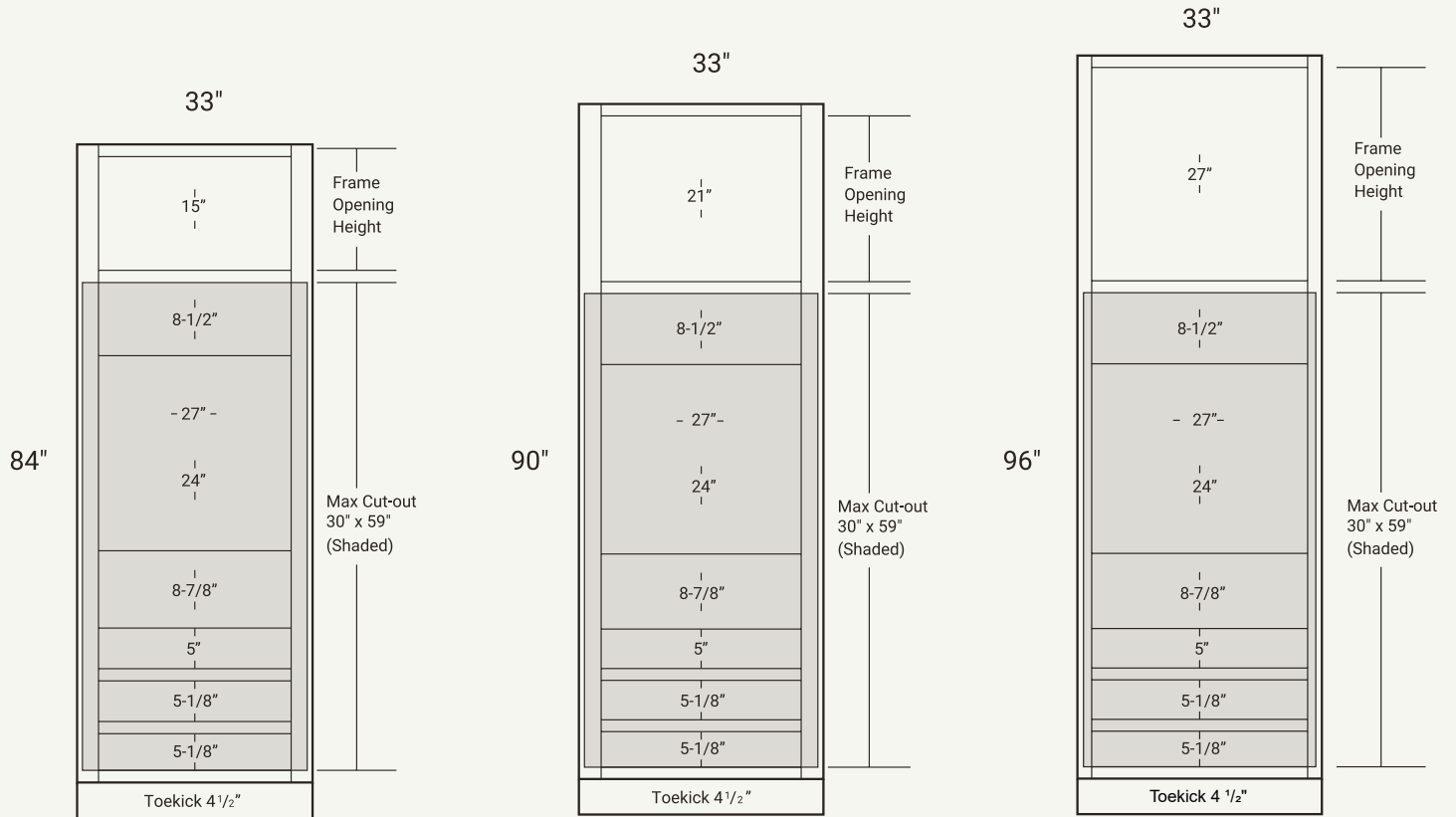


Tall Oven Cabinet

# FACE FRAME DRAWINGS TALL



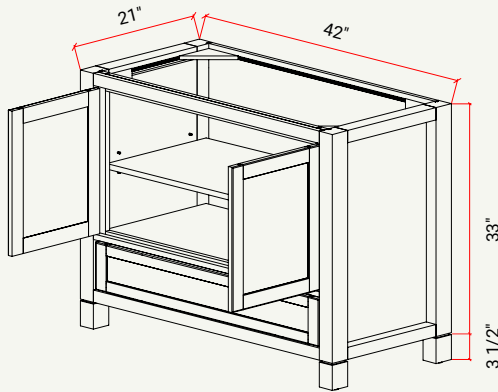
# TALL APPLIANCE CABINET CUT-OUT



SKU	OPENING WIDTH	MAX CUT OUT WIDTH	OPENING HEIGHT	MAX CUT OUT HEIGHT
TOC3384	27"	30"	24"	59"
TOC3390	27"	30"	24"	59"
TOC3396	27"	30"	24"	59"

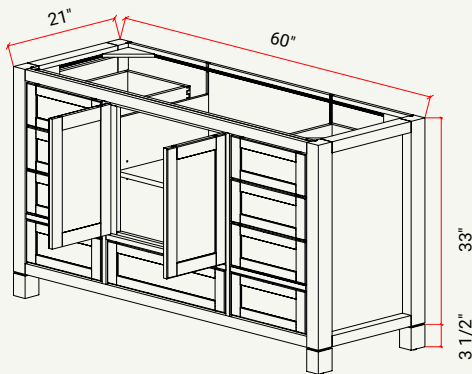


# VANITIES



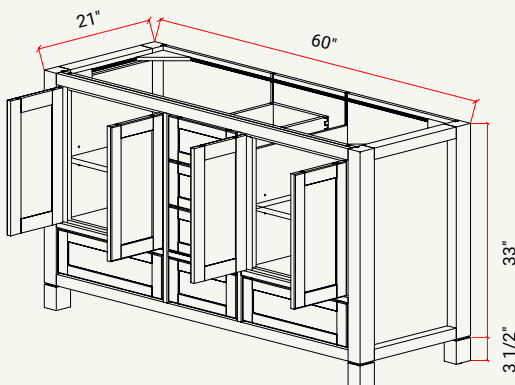
## LANGMORE | SINK BASE VANITY, BUTT DOORS, 1 ADJ. SHELF

CABINET	DAKOTA SKU	DESCRIPTION	SIZE		
			W	H	D
LMFV30	CALMFV30FRF_	Langmore Vanity 30"	30	33	21
LMFV36	CALMFV36FRF_	Langmore Vanity 36"	36	33	21
LMFV42	CALMFV42FRF_	Langmore Vanity 42"	42	33	21
LMFV48	CALMFV48FRF_	Langmore Vanity 48"	48	33	21



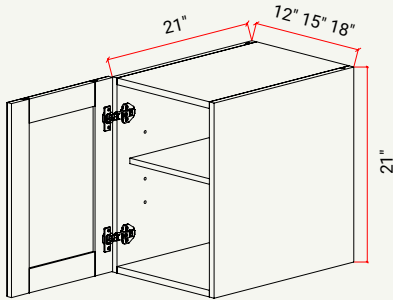
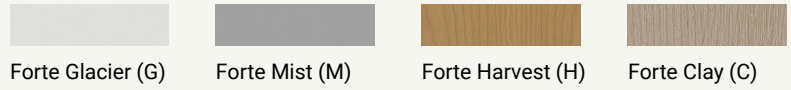
## LANGMORE | SINK BASE VANITY, SINGLE BOWL, BUTT DOORS, 9 DRAWERS, 2 ADJ. SHELVES

CABINET	DAKOTA SKU	DESCRIPTION	SIZE		
			W	H	D
LMFV60SB	CALMFV460SBRFRF_	Langmore Vanity 60" Single Bowl	60	33	21



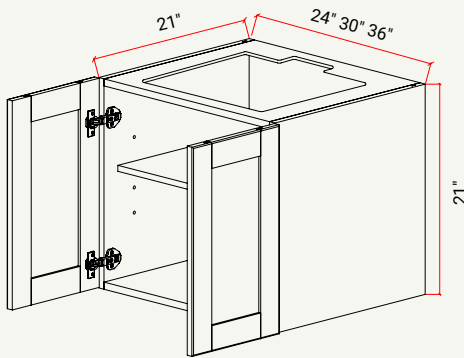
## LANGMORE | SINK BASE VANITY, DOUBLE BOWL, BUTT DOORS, 6 DRAWERS, 1 ADJ. SHELF

CABINET	DAKOTA SKU	DESCRIPTION	SIZE		
			W	H	D
LMFV60DB	CALMFV460DBFRF_	Langmore Vanity 60" Double Bowl	60	33	21



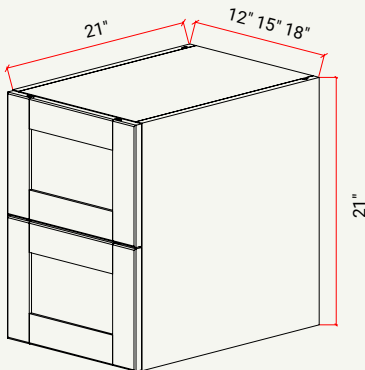
**FLOATING VANITY | BASE L/R DOOR, 1 ADJ. SHELF**

CABINET	DAKOTA SKU	DESCRIPTION	SIZE		
			W	H	D
FVB12	CAFVB12FRF_	Vanity Base 12"	12	21	21
FVB15	CAFVB15FRF_	Vanity Base 15"	15	21	21
FVB18	CAFVB18FRF_	Vanity Base 18"	18	21	21



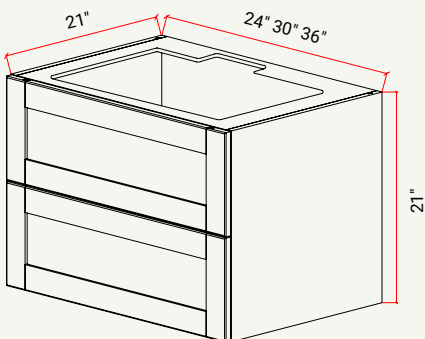
**FLOATING VANITY | BASE BUTT DOORS, 1 ADJ. SHELF**

CABINET	DAKOTA SKU	DESCRIPTION	SIZE		
			W	H	D
FVSB24	CAFVSB24FRF_	Vanity Sink Base 24"	24	21	21
FVSB30	CAFVSB30FRF_	Vanity Sink Base 30"	30	21	21
FVSB36	CAFVSB36FRF_	Vanity Sink Base 36"	36	21	21



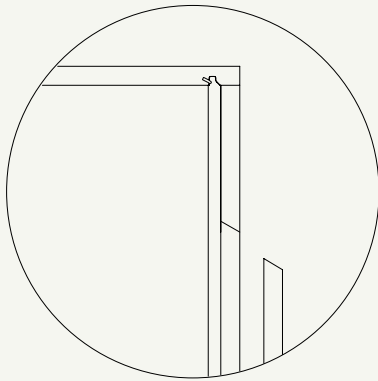
**FLOATING VANITY | BASE, 2 DRAWER**

CABINET	DAKOTA SKU	DESCRIPTION	SIZE		
			W	H	D
FV2DB12	CAFV2DB12FRF_	Vanity Drawer Base 12"	12	21	21
FV2DB15	CAFV2DB15FRF_	Vanity Drawer Base 15"	15	21	21
FV2DB18	CAFV2DB18FRF_	Vanity Drawer Base 18"	18	21	21

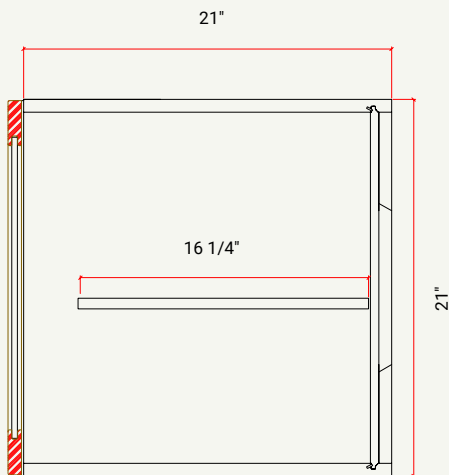


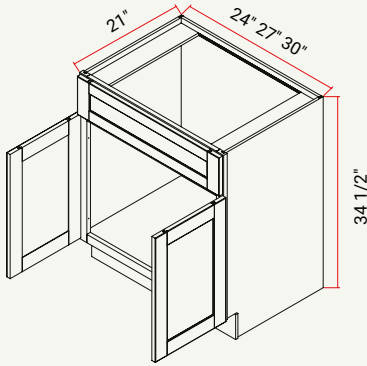
**FLOATING VANITY | SINK BASE, 2 DRAWER**

CABINET	DAKOTA SKU	DESCRIPTION	SIZE		
			W	H	D
FVSB2DRW24	CAFVSB2DRW24	Vanity Sink 2 Drawer 24"	24	21	21
FVSB2DRW30	CAFVSB2DRW30	Vanity Sink 2 Drawer 30"	30	21	21
FVSB2DRW36	CAFVSB2DRW36	Vanity Sink 2 Drawer 36"	36	21	21



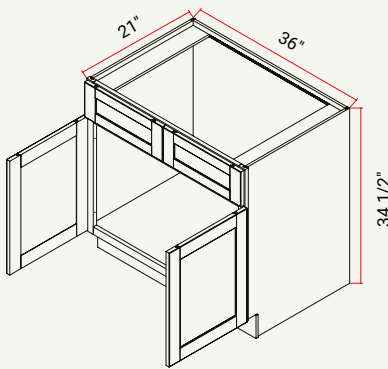
French Cleat Wall Bracket Mount





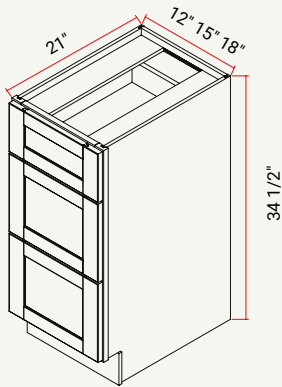
**VANITY | SINK BASE, BUTT DOORS, 1 FALSE FRONT**

CABINET	DAKOTA SKU	DESCRIPTION	SIZE		
			W	H	D
VS242134	CAVSB24FRF_	Vanity Sink Base 24"	24	34.5	21
VS272134	CAVSB27FRF_	Vanity Sink Base 27"	27	34.5	21
VS302134	CAVSB30FRF_	Vanity Sink Base 30"	30	34.5	21



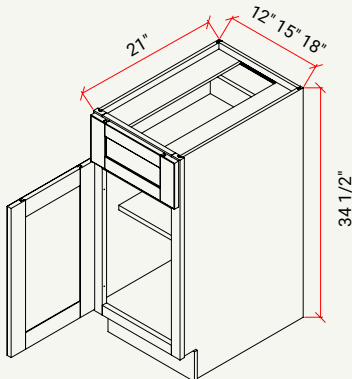
**VANITY | SINK BASE, BUTT DOORS, 2 FALSE FRONTS**

CABINET	DAKOTA SKU	DESCRIPTION	SIZE		
			W	H	D
VS36	CAVSB36FRF_	Vanity Sink Base 36"	36	34.5	21



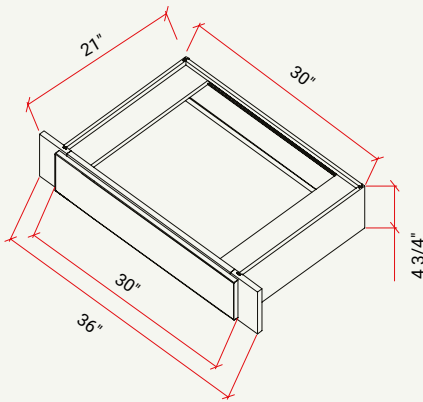
**VANITY | BASE, 3 DRAWER**

CABINET	DAKOTA SKU	DESCRIPTION	SIZE		
			W	H	D
VDB122134	CAVDB12FRF_	Vanity Drawer Base 12"	12	34.5	21
VDB152134	CAVDB15FRF_	Vanity Drawer Base 15"	15	34.5	21
VDB182134	CAVDB18FRF_	Vanity Drawer Base 18"	18	34.5	21



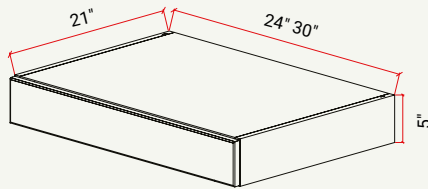
**VANITY | BASE, L/R DOOR, 1 DRAWER, 1 ADJ. SHELF**

CABINET	DAKOTA SKU	DESCRIPTION	SIZE		
			W	H	D
VB122134	CAVB12FRF_	Vanity Base 12"	12	34.5	21
VB152134	CAVB15FRF_	Vanity Base 15"	15	34.5	21
VB182134	CAVB18FRF_	Vanity Base 18"	18	34.5	21



**VANITY | KNEE DRAWER, TRIMMABLE**

CABINET	DAKOTA SKU	DESCRIPTION	SIZE		
			W	H	D
VKD3621	CAVKD3621FRF_	Knee Drawer 36"	30/36	4.75	21

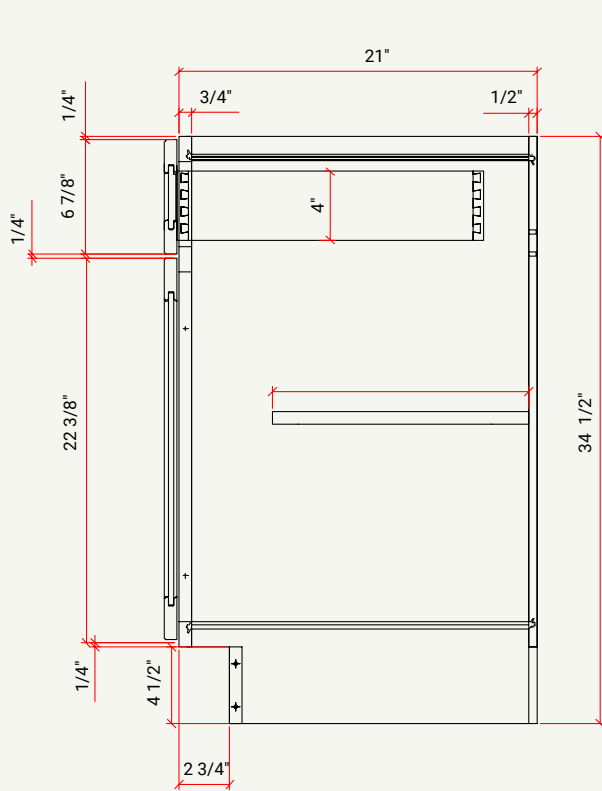


**FLOATING VANITY | KNEE DRAWER**

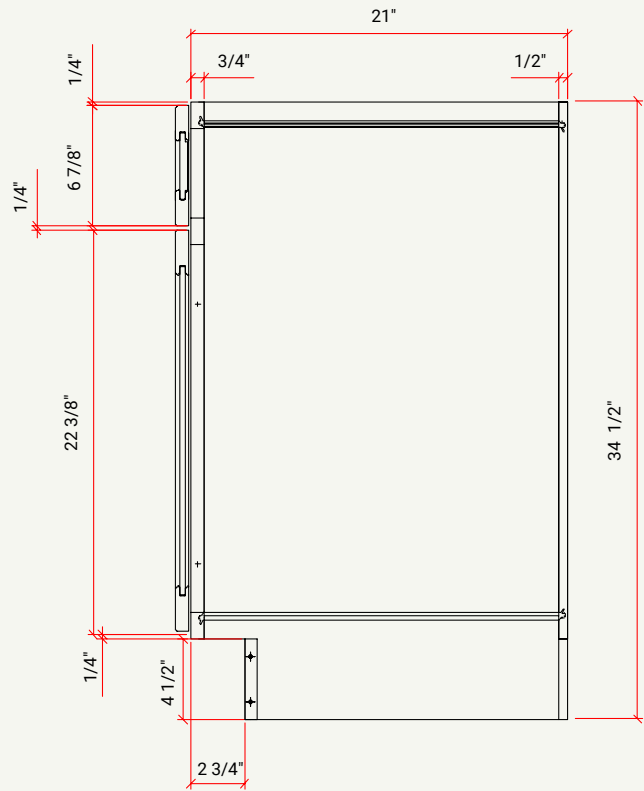
CABINET	DAKOTA SKU	DESCRIPTION	SIZE		
			W	H	D
FVKD24	CAFVKD24FRF_	Vanity Knee Drawer 24"	24	5	21
FVKD30	CAFVKD30FRF_	Vanity Knee Drawer 30"	30	5	21



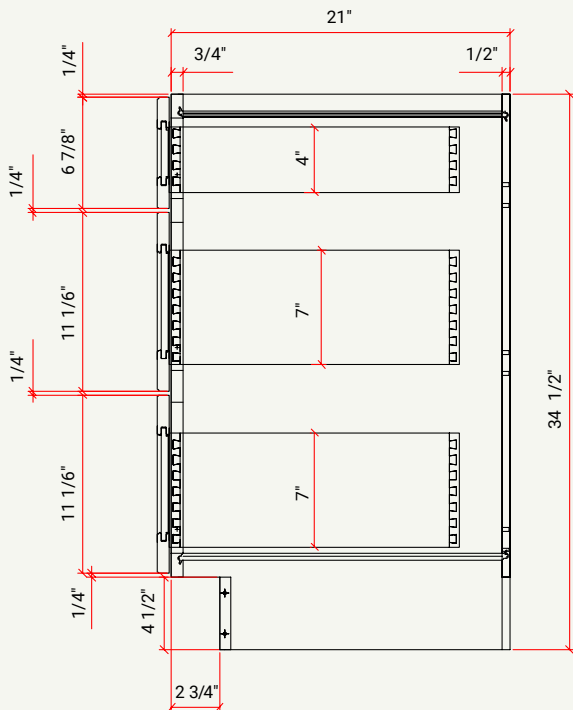
# VANITY CABINET SPECIFICATIONS



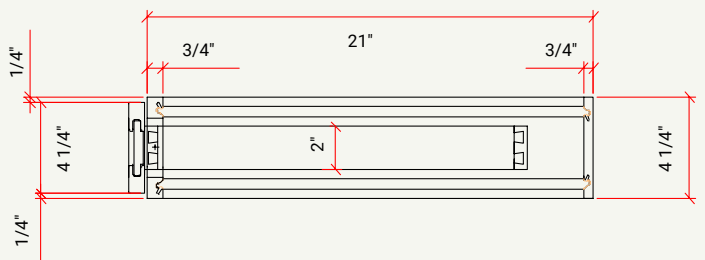
Vanity Base Cabinet



Vanity Sink Base Cabinet



Vanity 3 Drawer Base Cabinet



Knee Drawer Cabinet

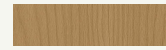
# MOLDINGS PROFILES



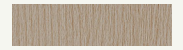
Forte Glacier (G)



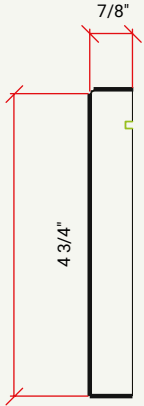
Forte Mist (M)



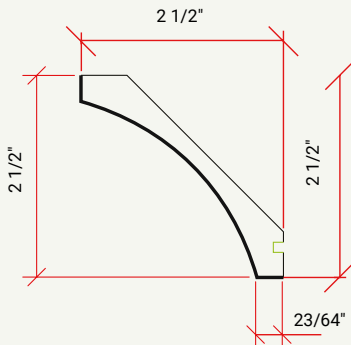
Forte Harvest (H)



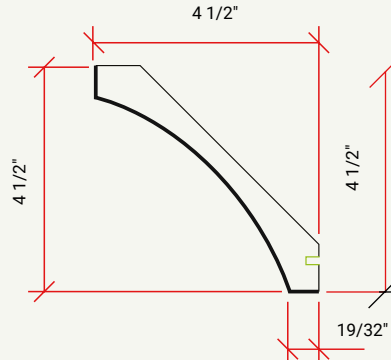
Forte Clay (C)



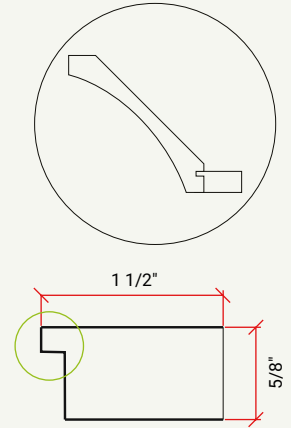
BBM



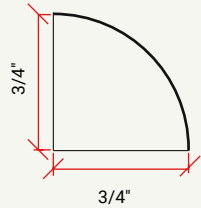
CRM-CS



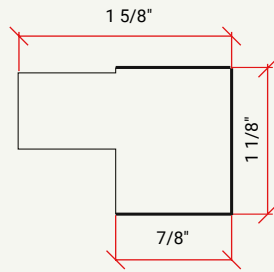
CRM-CL



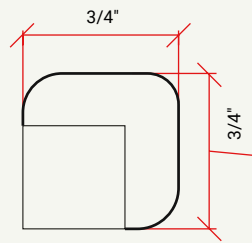
CME



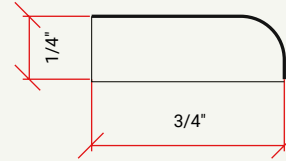
QRM



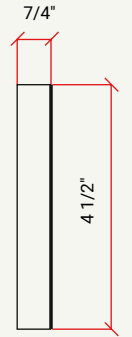
LRM



OCM



SCM

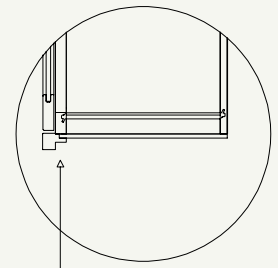
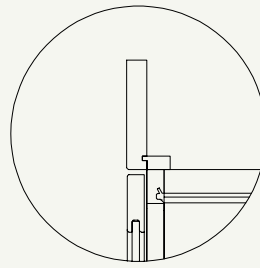
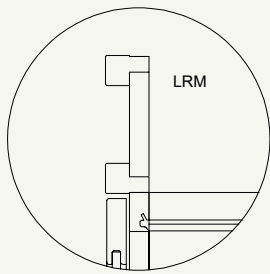
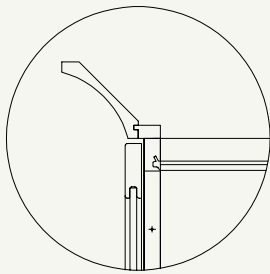
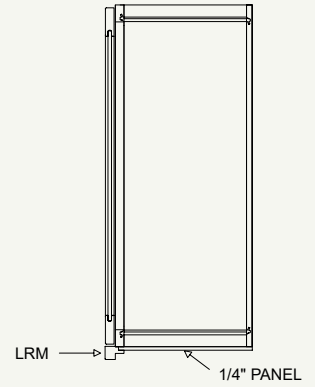
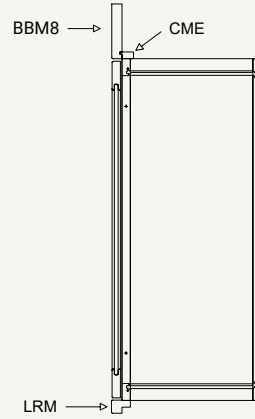
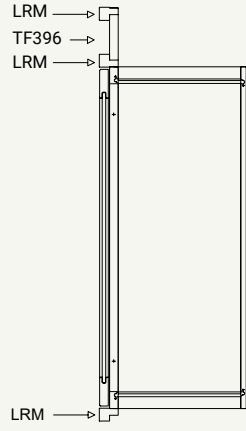
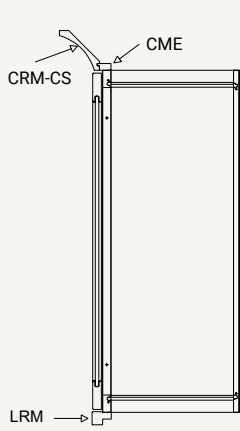


TK

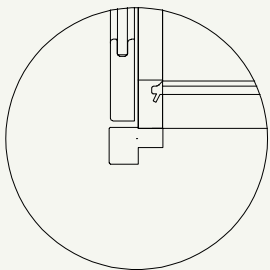
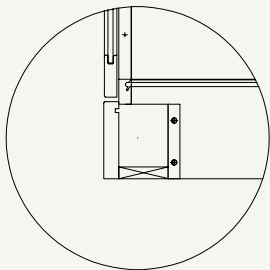
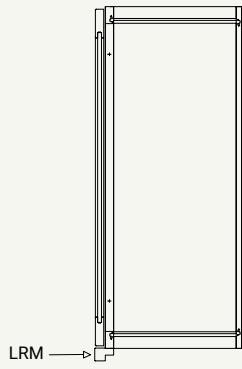
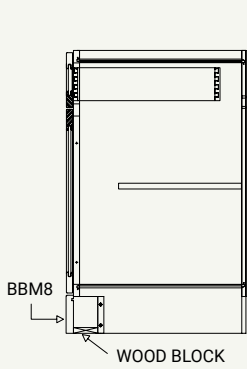
CABINET	DAKOTA SKU	DESCRIPTION	SIZE			FACE LENGTH
			W	H	D	
BBM	CABBMFRF_	Base Board Molding	0.875	96	4.75	
CRM-CS	CACRM-CSFRF_	Crown Molding - Small - Cove	2.5	96	2.5	3.5
CRM-CL	CACRM-CLFRF_	Crown Molding - Large - Cove	4.5	96	4.5	6.35
CME	CACMEFRF_	Crown Molding Extension	1.5	96	0.625	
QRM	CAQRMFRF_	Quarter Round Molding 8'	0.75	96	0.75	
LRM	CALRMFRF_	Light Rail Molding	1.625	96	1.125	
OCM	CAOCMFRF_	Outside Corner Molding 96"	0.75	96	0.75	
SCM	CARSMFRF_	Round Scribe Molding 1 1/8" x 1/4" x 96"	1.125	96	0.25	
TK	CATKFRF_	Toe Kick 96"	4.5	96.00	0.25	

\*Finished edges indicated by bold lines on side view of drawings.

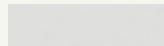
# MOLDING PROFILE OPTIONS



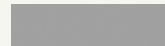
LRM to be modified to receive 1/4" Finished Panel



# DECO PANELS



Forte Glacier (G)



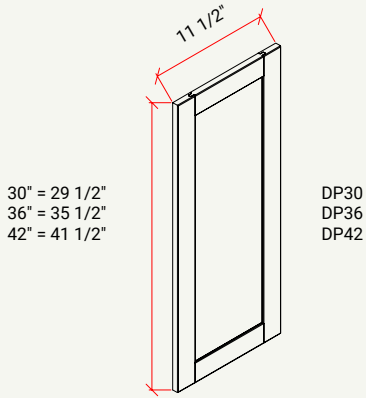
Forte Mist (M)



Forte Harvest (H)

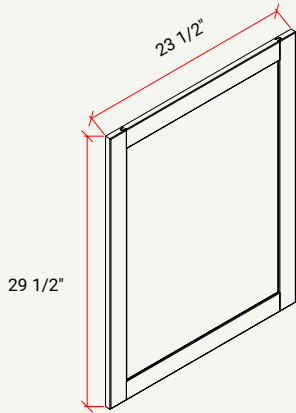


Forte Clay (C)



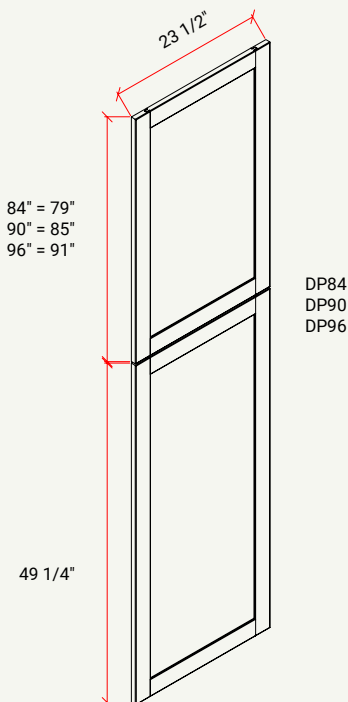
## DECO PANEL

CABINET	DAKOTA SKU	DESCRIPTION	SIZE		
			W	H	D
WDD30	CADP30FRF_	Deco Panel 30"	11.5	29.5	x
WDD36	CADP36FRF_	Deco Panel 36"	11.5	35.5	x
WDD42	CADP42FRF_	Deco Panel 42"	11.5	41.5	x



## DECO BASE PANEL

CABINET	DAKOTA SKU	DESCRIPTION	SIZE		
			W	H	D
BDD	CADPBRF_	Deco Panel Base	23.5	29.5	x

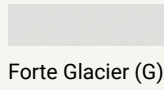


## DECO TALL PANEL

CABINET	DAKOTA SKU	DESCRIPTION	SIZE		
			W	H	D
TDD84	CADPT84FRF_	Deco Panel 84"	23.5	79	x
TDD90	CADPT90FRF_	Deco Panel 90"	23.5	85	x
TDD96	CADPT96FRF_	Deco Panel 96"	23.5	91	x

\*A skin should be used to flush the side of the cabinet before adding Deco Panel

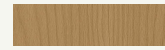
# PANELS & FILLERS



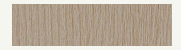
Forte Glacier (G)



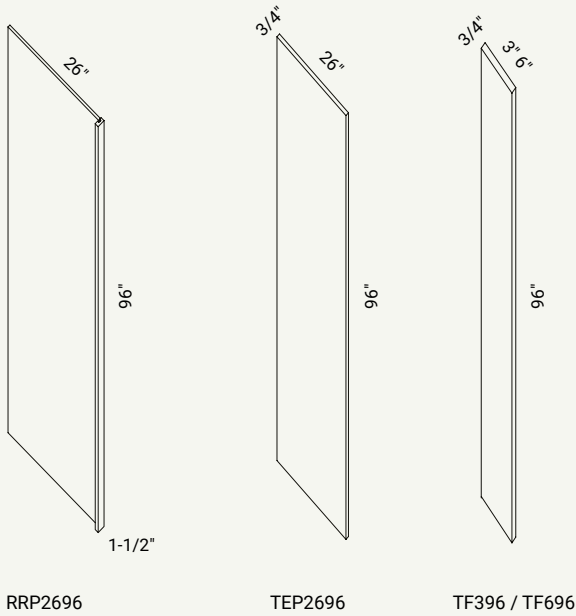
Forte Mist (M)



Forte Harvest (H)



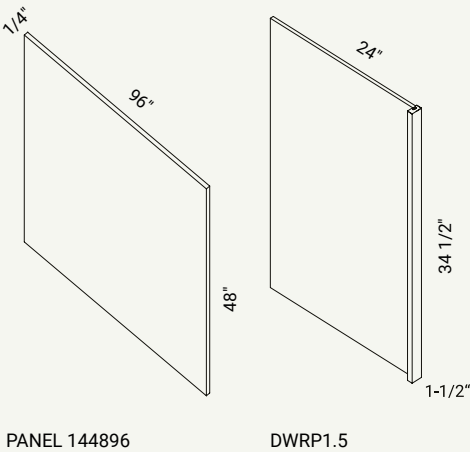
Forte Clay (C)



RRP2696

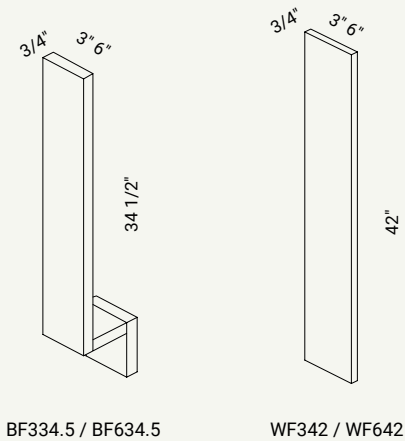
TEP2696

TF396 / TF696



PANEL 144896

DWRP1.5

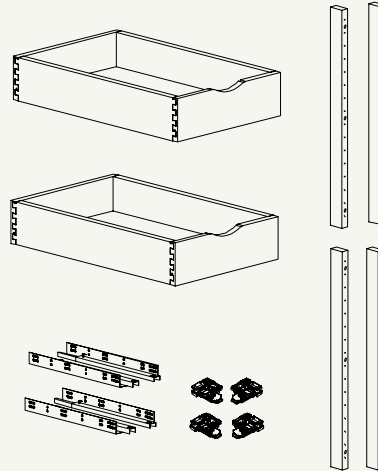
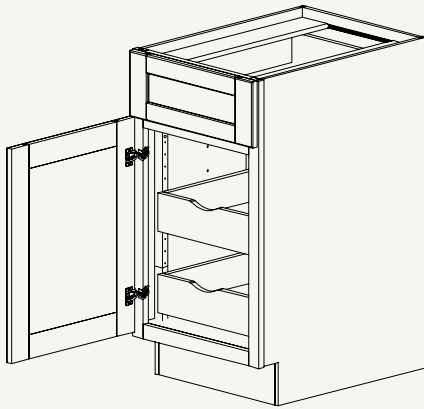


BF334.5 / BF634.5

WF342 / WF642

CABINET	DAKOTA SKU	DESCRIPTION	SIZE		
			W	H	D
DWR1.5	CADWR1.5 FRF_	Dishwasher Return 1 1/2"	24	34.5	1.5
RRP2696	CARRP 2696FRF_	Refrigerator Return Panel 26" x 96" x 1 1/2"	96	26.00	1.5
TEP2696	CATEP 2696FRF_	Tall End Panel 26" x 96"	96	26	0.75
PANEL 144896	CAPANEL 144896FRF_	Panel 1/4" x 4' x 8'	96	48	0.25
TF396	CATF 396FRF_	Tall Filler 3" x 96"	3	96	0.75
TF696	CATF 696FRF_	Tall Filler 6" x 96"	6	96	0.75
BF334.5	CABF334.5 FRF_	Base Filler 3"	3	34.5	0.75
BF634.5	CABF634.5 FRF_	Base Filler 6"	6	34.5	0.75
WF342	CAWF 342FRF_	Wall Filler 3" x 42"	3	42	0.75
WF642	CAWF 642FRF_	Wall Filler 6" x 42"	6	42	0.75

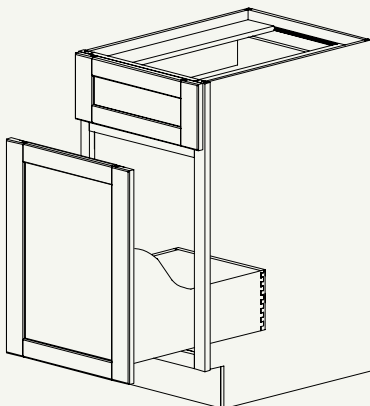
# ACCESSORIES



Roll Out Tray Kit  
 ROTKIT15 / ROTKIT18 / ROTKIT21  
 ROTKIT24 / ROTKIT27 / ROTKIT30  
 ROTKIT36

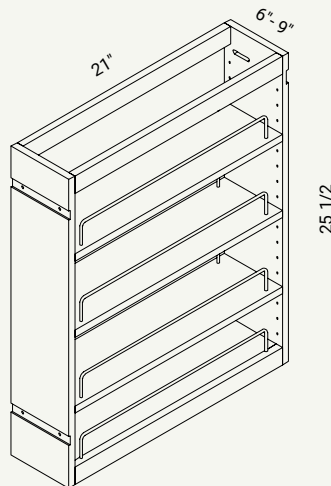
Roll Tray Kit Includes  
 2 x Roll Out Trays  
 2 x Sets of Soft-Close Slides  
 4 x Vertical Cleats  
 And Screws

\*Cabinet not included



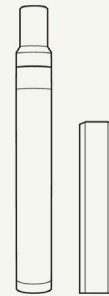
Base Waste Basket Kit  
 BWB15KIT / BWB18KIT

\*\* Trash cans sold separately  
 30QTCAN / 50QTCAN

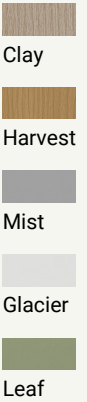


Base Pull Out with ADJ Shelves  
 BPOS09 Kit / BPOS12 Kit

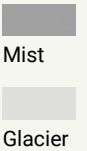
# TOUCH UP & PAINT



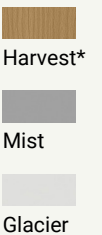
Touch Up Kit  
 Includes Marker & Fill  
 Stick  
 TUK



Pre-Cat Lacquer  
 Touch Up Spray Can  
 SPRAYCAN



Pre-Cat Lacquer  
 GALLON



\*You will also need SU30FGCPCPRO20  
 for topcoat

# FLOATING SHELVES



## MAPLE

ITEM #	DESCRIPTION	WT. CAPACITY	BOX QUANTITY
FSM1024	Floating Shelf Maple 24" x 10" x 2 1/2"	30 lbs.	1 Shelf, 1 pr Brackets
FSM1030	Floating Shelf Maple 30" x 10" x 2 1/2"	37.5 lbs.	1 Shelf, 1 pr Brackets
FSM1036	Floating Shelf Maple 36" x 10" x 2 1/2"	45 lbs.	1 Shelf, 3 Brackets
FSM1042	Floating Shelf Maple 42" x 10" x 2 1/2"	52.5 lbs.	1 Shelf, 3 Brackets

## WALNUT

ITEM #	DESCRIPTION	WT. CAPACITY	BOX QUANTITY
FSWALNUT24	Floating Shelf Walnut 24" x 10" x 2 1/2"	30 lbs.	1 Shelf, 1 pr Brackets
FSWALNUT30	Floating Shelf Walnut 30" x 10" x 2 1/2"	37.5 lbs.	1 Shelf, 1 pr Brackets
FSWALNUT36	Floating Shelf Walnut 36" x 10" x 2 1/2"	45 lbs.	1 Shelf, 3 Brackets
FSWALNUT42	Floating Shelf Walnut 42" x 10" x 2 1/2"	52.5 lbs.	1 Shelf, 3 Brackets

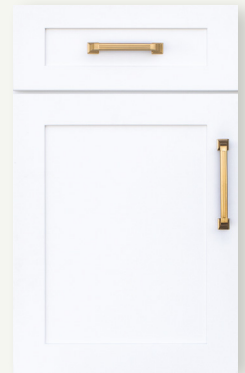
## WHITE OAK

ITEM #	DESCRIPTION	WT. CAPACITY	BOX QUANTITY
FSWTOAK24	Floating Shelf White Oak 24" x 10" x 2 1/2"	30 lbs.	1 Shelf, 1 pr Brackets
FSWTOAK30	Floating Shelf White Oak 30" x 10" x 2 1/2"	37.5 lbs.	1 Shelf, 1 pr Brackets
FSWTOAK36	Floating Shelf White Oak 36" x 10" x 2 1/2"	45 lbs.	1 Shelf, 3 Brackets
FSWTOAK42	Floating Shelf White Oak 42" x 10" x 2 1/2"	52.5 lbs.	1 Shelf, 3 Brackets

# VALENCIA COLLECTION



<b>DP</b> Dark Pewter	<b>SN</b> Satin Nickel	<b>PC</b> Polished Chrome
<b>BK</b> Matte Black	<b>10B</b> Oil Rubbed Bronze	<b>RG</b> Rose Gold



**K-95003**  
VALENCIA KNOB  
38 MM

<b>PROJECTION</b>	32 mm
<b>WIDTH</b>	25 mm
<b>LENGTH</b>	25 mm

**P-97128**  
VALENCIA PULL  
128 MM C/C

<b>PROJECTION</b>	35 mm
<b>WIDTH</b>	23 mm
<b>LENGTH</b>	151 mm

**P-97096**  
VALENCIA PULL  
96 MM C/C

<b>PROJECTION</b>	32 mm
<b>WIDTH</b>	21 mm
<b>LENGTH</b>	117 mm

**P-97160**  
VALENCIA PULL  
160 MM C/C

<b>PROJECTION</b>	35 mm
<b>WIDTH</b>	23 mm
<b>LENGTH</b>	183 mm



# MADISON COLLECTION



<b>DP</b> Dark Pewter	<b>SN</b> Satin Nickel	<b>PC</b> Polished Chrome
<b>BK</b> Matte Black	<b>10B</b> Oil Rubbed Bronze	<b>RG</b> Rose Gold



**K-92230**  
Square Knob  
28mm

<b>PROJECTION</b>	26 mm
<b>WIDTH</b>	28 mm
<b>LENGTH</b>	28 mm

**P-93128** ✓  
Madison Pull  
128 mm C/C

<b>PROJECTION</b>	39 mm
<b>WIDTH</b>	13 mm
<b>LENGTH</b>	154 mm

**K-92430**  
Rectangular  
Knob 36x28

<b>PROJECTION</b>	26 mm
<b>WIDTH</b>	28 mm
<b>LENGTH</b>	36 mm

**P-93160** ✓  
Madison Pull  
160 mm C/C

<b>PROJECTION</b>	39 mm
<b>WIDTH</b>	13 mm
<b>LENGTH</b>	186 mm

**P-93096** ✓  
Madison Pull  
96 mm C/C

<b>PROJECTION</b>	39 mm
<b>WIDTH</b>	13 mm
<b>LENGTH</b>	122 mm



# MILAN COLLECTION



<b>DP</b> Dark Pewter	<b>SN</b> Satin Nickel	<b>PC</b> Polished Chrome
<b>BK</b> Matte Black	<b>10B</b> Oil Rubbed Bronze	<b>RG</b> Rose Gold



**K-95003**  
VALENCIA KNOB  
38 MM

<b>PROJECTION</b>	32 mm
<b>WIDTH</b>	25 mm
<b>LENGTH</b>	25 mm

**P-97128**  
VALENCIA PULL  
128 MM C/C

<b>PROJECTION</b>	35 mm
<b>WIDTH</b>	23 mm
<b>LENGTH</b>	151 mm

**P-97096**  
VALENCIA PULL  
96 MM C/C

<b>PROJECTION</b>	32 mm
<b>WIDTH</b>	21 mm
<b>LENGTH</b>	117 mm

**P-97160**  
VALENCIA PULL  
160 MM C/C

<b>PROJECTION</b>	35 mm
<b>WIDTH</b>	23 mm
<b>LENGTH</b>	183 mm



# MILAN COLLECTION



<b>DP</b> Dark Pewter	<b>SN</b> Satin Nickel	<b>PC</b> Polished Chrome
<b>BK</b> Matte Black	<b>10B</b> Oil Rubbed Bronze	<b>RG</b> Rose Gold



**K-1218**  
ROUND FLAT TOP  
32 MM

<b>PROJECTION</b>	30 mm
<b>DIAMETER</b>	32 mm

**P-92926**  
MANHATTAN PULL  
96 MM C/C

<b>PROJECTION</b>	28 mm
<b>WIDTH</b>	16 mm
<b>LENGTH</b>	123 mm

**P-92927**  
MANHATTAN PULL  
128 MM C/C

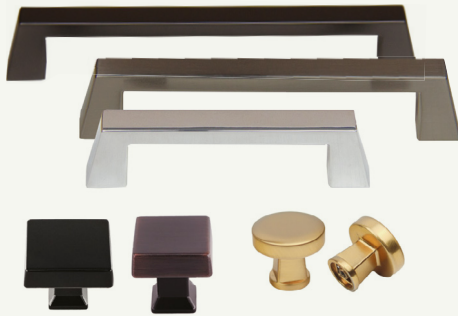
<b>PROJECTION</b>	28 mm
<b>WIDTH</b>	16 mm
<b>LENGTH</b>	155 mm

**P-92928**  
MANHATTAN PULL  
160 MM C/C

<b>PROJECTION</b>	28 mm
<b>WIDTH</b>	16 mm
<b>LENGTH</b>	187 mm



# COLORADO COLLECTION



<b>DP</b> Dark Pewter	<b>SN</b> Satin Nickel	<b>PC</b> Polished Chrome
<b>BK</b> Matte Black	<b>10B</b> Oil Rubbed Bronze	<b>RG</b> Rose Gold



**K-92925**  
DIA COLORADO  
ROUND KNOB  
32 MM

**PROJECTION** 29.5 mm  
**DIAMETER** 32 mm

**P-92836**  
COLORADO PULL  
96 MM C/C

**PROJECTION** 30 mm  
**WIDTH** 16 mm  
**LENGTH** 118 mm

**K-94723**  
COLORADO  
SQUARE KNOB  
29.8 MM

**PROJECTION** 30 mm  
**WIDTH** 29.8 mm  
**LENGTH** 29.8 mm

**P-92837**  
COLORADO PULL  
128 MM C/C

**PROJECTION** 30 mm  
**WIDTH** 16 mm  
**LENGTH** 150 mm

**K-94727**  
COLORADO SQUARE  
OVERSIZED KNOB  
37 MM

**PROJECTION** 30 mm  
**WIDTH** 37 mm  
**LENGTH** 37 mm

**P-92838**  
COLORADO PULL  
160 MM C/C

**PROJECTION** 30 mm  
**WIDTH** 16 mm  
**LENGTH** 182 mm



# MODERN COLLECTION



<b>SN</b> Satin Nickel	<b>PC</b> Polished Chrome	<b>BK</b> Matte Black
<b>10B</b> Oil Rubbed Bronze	<b>RG</b> Rose Gold	



**K-94727**  
COLORADO SQUARE  
OVERSIZED KNOB  
37 MM

**PROJECTION** 30 mm  
**WIDTH** 37 mm  
**LENGTH** 37 mm

**P-81458**  
PULL  
128 MM C/C

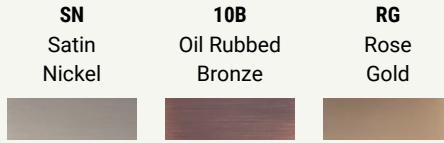
**PROJECTION** 30 mm  
**WIDTH** 21 mm  
**LENGTH** 137 mm

**P-81456**  
PULL  
96 MM C/C

**PROJECTION** 26 mm  
**WIDTH** 21 mm  
**LENGTH** 105 mm



# WASHINGTON COLLECTION



**K-92230**  
SQUARE KNOB  
28 MM

**PROJECTION** 26 mm  
**WIDTH** 28 mm  
**LENGTH** 28 mm

**P-91297**  
WASHINGTON PULL  
128 MM C/C  
168 MM OL

**PROJECTION** 28 mm  
**WIDTH** 16 mm  
**LENGTH** 168 mm

**K-92430**  
RECTANGULAR  
KNOB  
36X28

**PROJECTION** 26 mm  
**WIDTH** 28 mm  
**LENGTH** 36 mm

**P-91298**  
WASHINGTON PULL  
160 MM C/C  
200 MM OL

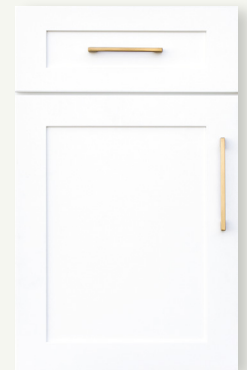
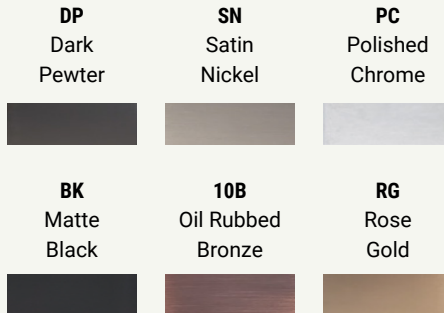
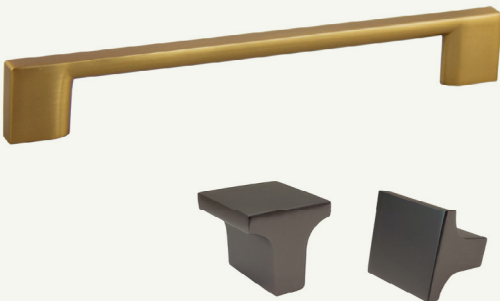
**PROJECTION** 28 mm  
**WIDTH** 16 mm  
**LENGTH** 200 mm

**P-91296**  
WASHINGTON PULL  
96 MM C/C  
136 MM OL

**PROJECTION** 28 mm  
**WIDTH** 16 mm  
**LENGTH** 136 mm



# MIAMI COLLECTION



**K-83125**  
SQUARE KNOB  
1"

**PROJECTION** 23 mm  
**WIDTH** 1"  
**LENGTH** 1"

**P-81572**  
MIAMI PULL  
128 MM C/C

**PROJECTION** 27 mm  
**WIDTH** 8.5 mm  
**LENGTH** 149 mm

**P-80572**  
MIAMI PULL  
96 MM C/C

**PROJECTION** 27 mm  
**WIDTH** 8.2 mm  
**LENGTH** 120 mm

**P-83572**  
MIAMI PULL  
160 MM C/C

**PROJECTION** 27 mm  
**WIDTH** 9 mm  
**LENGTH** 190 mm



# VAIL COLLECTION



<b>DP</b> Dark Pewter	<b>SN</b> Satin Nickel	<b>PC</b> Polished Chrome
<b>BK</b> Matte Black	<b>10B</b> Oil Rubbed Bronze	<b>RG</b> Rose Gold



**K-1218**  
ROUND FLAT TOP  
32 MM

<b>PROJECTION</b>	30 mm
<b>DIAMETER</b>	32 mm

**P-86374** ✓  
VAIL PULL  
128 MM C/C

<b>PROJECTION</b>	30 mm
<b>WIDTH</b>	12 mm
<b>LENGTH</b>	149 mm

**P-86373** ✓  
VAIL PULL  
96 MM C/C

<b>PROJECTION</b>	30 mm
<b>WIDTH</b>	12 mm
<b>LENGTH</b>	115 mm

**P-86375** ✓  
VAIL PULL  
160 MM C/C

<b>PROJECTION</b>	30 mm
<b>WIDTH</b>	12 mm
<b>LENGTH</b>	180 mm



# CHARLOTTE COLLECTION



<b>SN</b> Satin Nickel	<b>PC</b> Polished Chrome	<b>BK</b> Matte Black
<b>10B</b> Oil Rubbed Bronze	<b>RG</b> Rose Gold	



**K-81091**  
SQUARE KNOB  
32 MM

<b>PROJECTION</b>	26 mm
<b>WIDTH</b>	32 mm
<b>LENGTH</b>	32 mm

**P-82092** ✓  
CHARLOTTE  
DECO PULL  
128 MM C/C

<b>PROJECTION</b>	28 mm
<b>WIDTH</b>	16 mm
<b>LENGTH</b>	142 mm

**P-81092** ✓  
CHARLOTTE  
DECO PULL  
96 MM C/C

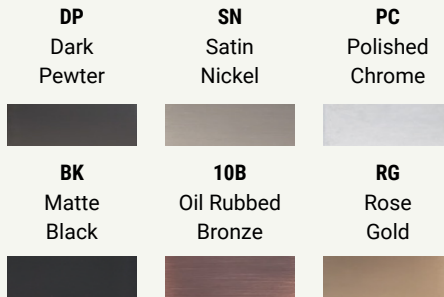
<b>PROJECTION</b>	28 mm
<b>WIDTH</b>	16 mm
<b>LENGTH</b>	118 mm

**P-83092** ✓  
CHARLOTTE  
DECO PULL  
160 MM C/C

<b>PROJECTION</b>	28 mm
<b>WIDTH</b>	16 mm
<b>LENGTH</b>	172 mm



# BAR PULL COLLECTION



**K-102**  
BAR PULL KNOB  
2" OL X  
12 MM DIA.

**PROJECTION** 35 mm  
**WIDTH** 12 mm  
**LENGTH** 2"

**P-108**  
BAR PULL  
8" OL X 5" C/C X  
12 MM DIA.

**PROJECTION** 35 mm  
**WIDTH** 12 mm  
**LENGTH** 8"

**P-104**  
BAR PULL  
115 MM OL X  
64 MM C/C X  
12 MM DIA.

**PROJECTION** 35 mm  
**WIDTH** 12 mm  
**LENGTH** 4 17/32"

**P-109.SN**  
BAR PULL  
9" OL X 160 MM C/C  
X 12 MM DIA

**PROJECTION** 35 mm  
**WIDTH** 12 mm  
**LENGTH** 9" **SATIN NICKEL**

**P-106**  
BAR PULL  
6" OL X 3" C/C X  
12 MM DIA.

**PROJECTION** 35 mm  
**WIDTH** 12 mm  
**LENGTH** 6"

**P-110**  
BAR PULL  
10" OL X 7" C/C  
X 12 MM DIA.

**PROJECTION** 30 mm  
**WIDTH** 12 mm  
**LENGTH** 10"

**P-1096**  
BAR PULL  
6" OL X 96 MM C/C X  
12 MM DIA.

**PROJECTION** 35 mm  
**WIDTH** 12 mm  
**LENGTH** 6"

**P-112**  
BAR PULL  
12" OL X 9" C/C  
X 12 MM DIA.

**PROJECTION** 35 mm  
**WIDTH** 12 mm  
**LENGTH** 12"

**P-107.SN**  
BAR PULL  
7" OL X 128 MM C/C  
X 12 MM DIA.

**PROJECTION** 35 mm  
**WIDTH** 12 mm  
**LENGTH** 7" **SATIN NICKEL**

**P-114**  
BAR PULL  
14" OL X 11" C/C X  
12 MM DIA.

**PROJECTION** 35 mm  
**WIDTH** 12 mm  
**LENGTH** 14"

**P-116**  
BAR PULL  
16" OL X 13" C/C  
X 12 MM DIA.

**PROJECTION** 35 mm  
**WIDTH** 12 mm  
**LENGTH** 16"

**P-124**  
BAR PULL  
24" OL X 21" C/C  
X 12 MM DIA.

**PROJECTION** 35 mm  
**WIDTH** 12 mm  
**LENGTH** 24"

**P-118.SN**  
BAR PULL  
18" OL X 15" C/C  
X 12 MM DIA.

**PROJECTION** 35 mm  
**WIDTH** 12 mm  
**LENGTH** 18" **SATIN NICKEL**

**P-126.SN**  
BAR PULL  
26" OL X 23" C/C X  
12 MM DIA.

**PROJECTION** 35 mm  
**WIDTH** 12 mm  
**LENGTH** 26" **SATIN NICKEL**

**P-120**  
BAR PULL  
20" OL X 17" C/C  
X 12 MM DIA.

**PROJECTION** 35 mm  
**WIDTH** 12 mm  
**LENGTH** 20"

**P-128**  
BAR PULL  
28" OL X 25" C/C X  
12 MM DIA.

**PROJECTION** 35 mm  
**WIDTH** 12 mm  
**LENGTH** 28"

**P-122**  
BAR PULL  
22" OL X 19" C/C  
X 12 MM DIA.

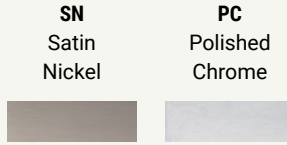
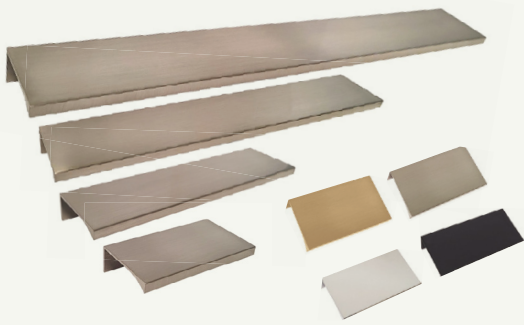
**PROJECTION** 35 mm  
**WIDTH** 12 mm  
**LENGTH** 22"

**P-130.SN**  
BAR PULL  
30" OL X 27" C/C X  
12 MM DIA.

**PROJECTION** 35 mm  
**WIDTH** 12 mm  
**LENGTH** 30" **SATIN NICKEL**



# TAB PULLS COLLECTION



**P-1803**  
46 MM C/C X  
76 MM (3") OL

**PROJECTION** 41 mm  
**WIDTH** 17 mm  
**LENGTH** 76 mm

**P-1809**  
189 MM C/C X  
229 MM (9") OL

**PROJECTION** 41 mm  
**WIDTH** 17 mm  
**LENGTH** 229 mm

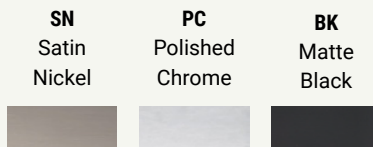
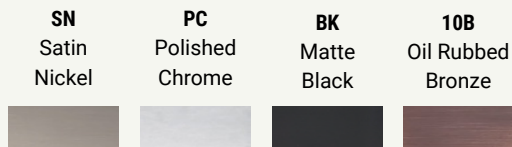


**P-1806**  
112 MM C/C X  
152 MM (6") OL

**PROJECTION** 41 mm  
**WIDTH** 17 mm  
**LENGTH** 152 mm

**P-1812**  
132 MM\*2 C/C X  
304 MM (12") OL

**PROJECTION** 41 mm  
**WIDTH** 17 mm  
**LENGTH** 304 mm

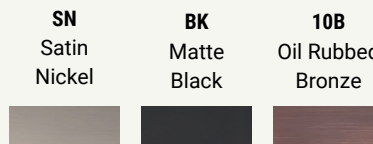


**P-1876**  
PERFECT EDGE  
PULL 60 MM C/C  
76 MM OL

**PROJECTION** 38 mm  
**WIDTH** 41 mm  
**LENGTH** 76 mm

**P-1879**  
PERFECT EDGE  
PULL 128 MM C/C  
152 MM OL

**PROJECTION** 38 mm  
**WIDTH** 41 mm  
**LENGTH** 152 mm



**P-80014**  
EDGE PULL  
2"

**PROJECTION** 37 mm  
**WIDTH** 50 mm  
**LENGTH** 37 mm

# SQUARE PULL COLLECTION



<b>DP</b> Dark Pewter	<b>SN</b> Satin Nickel	<b>PC</b> Polished Chrome
<b>BK</b> Matte Black	<b>10B</b> Oil Rubbed Bronze	<b>RG</b> Rose Gold



**P-87226** ✓  
SQUARE PULL  
96 MM C/C

<b>PROJECTION</b>	35 mm
<b>WIDTH</b>	9.8 mm
<b>LENGTH</b>	105.8 mm

**P-87300** ✓  
SQUARE PULL  
224 MM C/C

<b>PROJECTION</b>	35 mm
<b>WIDTH</b>	9.8 mm
<b>LENGTH</b>	232.8 mm

**P-87227** ✓  
SQUARE PULL  
128 MM C/C

<b>PROJECTION</b>	35 mm
<b>WIDTH</b>	9.8 mm
<b>LENGTH</b>	137 mm

**P-87140.SN** ✓  
SQUARE PULL  
280 MM C/C

<b>PROJECTION</b>	28 mm
<b>WIDTH</b>	9.8 mm
<b>LENGTH</b>	289 mm

**P-87228** ✓  
SQUARE PULL  
160 MM C/C

<b>PROJECTION</b>	35 mm
<b>WIDTH</b>	9.8 mm
<b>LENGTH</b>	169.5 mm

**P-87328.SN** ✓  
SQUARE PULL  
320 MM C/C

<b>PROJECTION</b>	28 mm
<b>WIDTH</b>	9.8 mm
<b>LENGTH</b>	329.5 mm

**P-87229** ✓  
SQUARE PULL  
192 MM C/C

<b>PROJECTION</b>	35 mm
<b>WIDTH</b>	9.8 mm
<b>LENGTH</b>	201.5 mm



# CHARLESTON COLLECTION



<b>DP</b> Dark Pewter	<b>SN</b> Satin Nickel	<b>PC</b> Polished Chrome
<b>BK</b> Matte Black	<b>10B</b> Oil Rubbed Bronze	<b>RG</b> Rose Gold



**K-92230**  
SQUARE KNOB  
28 MM

<b>PROJECTION</b>	26 mm
<b>WIDTH</b>	28 mm
<b>LENGTH</b>	28 mm

**P-90396**  
CHARLESTON  
CUP PULL  
96 MM C/C &  
3" C/C

<b>PROJECTION</b>	21 mm
<b>WIDTH</b>	42 mm
<b>LENGTH</b>	118 mm

**K-92430**  
RECTANGULAR  
KNOB  
36X28

<b>PROJECTION</b>	26 mm
<b>WIDTH</b>	28 mm
<b>LENGTH</b>	36 mm





## EZ CLICK CABINETS – CARE & WARRANTY

### Cleaning Instructions Cleaning

#### EZ Click Cabinets is simple and straightforward:

- Start with a soft microfiber cloth and warm water.
- If warm water alone isn't helping, add a small amount of dish soap (approximately 5% soap to 95% warm water).
- If soapy water is still isn't helping, spray a non-abrasive, citrus-based cleaner directly onto the microfiber cloth and gently wipe the surface.
- After cleaning the cabinets, wipe down with a clean, damp cloth, then immediately follow with a clean, dry cloth to remove any remaining moisture.

**Polishing or Waxing** your cabinets is **not necessary** and **not recommended**. Over time, waxes and polishing compounds can build up on the surface, creating a hazy, streaked, or yellowed appearance that is difficult to remove.

### Limited 5 Year Warranty

We know that you've put a great deal of time, thought and investment into your cabinet project, and we truly appreciate your decision to purchase EZ Click Cabinets from Dakota Premium Hardwoods.

In the unlikely event that you encounter a problem with your cabinetry, we are ready to assist you, subject to the terms of this 5-Year Limited Warranty. Dakota Premium Hardwoods.

This 5-Year Limited Warranty is extended to the original Customer only for use of the product within the United States. This Limited Warranty is not transferable. No changes or modifications can be made to this Limited Warranty except by a company officer.

We firmly stand behind the quality of our products, and warrant to you, our customer, that our EZ Click Cabinetry will be free from defects in material and workmanship under ordinary use from date of invoice.



**This 5-Year Limited Warranty is limited to defects in material and workmanship and does not apply to:**

- Damage caused by the improper assembly or installation of your cabinets.
- Damage, theft, or loss that occurs after we have properly delivered your cabinets to you.
- Issues with other products used or installed in connection with your cabinets including, but not limited to, appliances, counter-tops, or plumbing fixtures (including the costs to remove and reinstall such other products).
- Damage caused by misuse, abuse, neglect, accident, alteration, improper or non-residential use, exposure to moisture or extreme temperatures, or other environmental factors in your home, including smoke damage, failure to maintain or acts of God.
- Naturally occurring wood characteristics such as, but are not limited to, variations in color or grain pattern, and knots. These characteristics will be prominent through stained finishes and may be visible through painted finishes.
- Natural joint movement and seam lines. Wood will expand and contract with changes in temperature and humidity. Wood components, such as doors and frames, will develop seam lines, which include small joint separations and hairline cracks in the finish in locations where wood is joined together. Painted finishes are particularly prone to seam lines.
- Changes in color and finishes due to UV light, sunlight, smoke, household cleaners, and other environmental conditions and general aging. As cabinetry products age, the finish may mellow or discolor slightly.
- Variations from samples and displays. Wood varies significantly from piece to piece. Wood finishes change in sheen and color over time due to exposure to natural and artificial light and other environmental factors. Because of this, new and or replacement cabinets may not match showroom displays, color chip samples, photographs in catalogs or websites, or existing cabinetry in your home.
- Damage caused by ordinary wear and tear.

In the event of a defect in material or workmanship within the terms and conditions set forth herein, we will repair or replace the product, at our sole option, without charge. If the affected product is no longer available, Dakota Premium Hardwoods reserves the right to: (i) replace the affected component with a new component of a similar style, or (ii) replace the affected component and any other component within the total product to achieve a uniform appearance with as similar and comparable product style and quality as possible to the original product. We cannot guarantee that replacements will match the finish and appearance of the original product. Our warranty extends solely to the product. We are not responsible for the cost of: (i) removal of defective product, (ii) installation of repaired or replaced product, or (iii) removal or installation of appliances, plumbing, flooring, or other fixtures. Repaired or replaced product shall be warranted for a period equal to the remaining period of the original Limited Warranty on the product or for ninety days, whichever is longer. THIS LIMITED WARRANTY SETS OUT THE FULL EXTENT DAKOTA PREMIUM HARDWOODS RESPONSIBILITIES, AND THE EXCLUSIVE REMEDY REGARDING THE PRODUCT. ALL IMPLIED WARRANTIES, INCLUDING WITHOUT LIMITATION, IMPLIED WARRANTIES OF MERCHANTABILITY AND FITNESS FOR A PARTICULAR PURPOSE, ARE LIMITED TO THE DURATION OF THIS LIMITED WARRANTY. IN NO EVENT SHALL DAKOTA PREMIUM HARDWOODS BE LIABLE FOR DAMAGES IN EXCESS OF THE PURCHASE PRICE OF THE PRODUCT OR FOR, WITHOUT LIMITATION, COMMERCIAL LOSS OF ANY SORT; LOSS OF USE, TIME, DATA, REPUTATION, OPPORTUNITY, GOODWILL, PROFITS OR SAVINGS; INCONVENIENCE; INCIDENTAL, SPECIAL, CONSEQUENTIAL OR PUNITIVE DAMAGES; OR DAMAGES ARISING FROM THE USE OR INABILITY TO USE THE PRODUCT. SOME STATES AND JURISDICTIONS DO NOT ALLOW LIMITATIONS ON HOW LONG AN IMPLIED WARRANTY LASTS, OR THE DISCLAIMER OR LIMITATION OF INCIDENTAL OR CONSEQUENTIAL DAMAGES, SO THE ABOVE LIMITATIONS AND DISCLAIMERS MAY NOT APPLY TO YOU. IF ANY PORTION OF THIS LIMITED WARRANTY IS HELD TO BE ILLEGAL OR UNENFORCEABLE, SUCH PARTIAL ILLEGALITY OR UNENFORCEABILITY SHALL NOT AFFECT THE ENFORCEABILITY OF THE REMAINDER OF THE LIMITED WARRANTY. To initiate a claim, please contact the business the cabinets were purchased from. Claims will require proof of purchase and receipt. If you cannot initiate your claim through your place of purchase or if you have difficulty obtaining assistance, you may submit a claim in writing to: Dakota Premium Hardwoods Cabinet Department 6805 Imperial Drive, Suite D. Waco, TX 76712 (254) 772-9663 All claims must be submitted in writing and must specify all issues you have with your cabinets. Pictures are required to assist in processing your claim. Once Dakota Premium Hardwoods has had an opportunity to review your claim, we will, at our sole discretion, either replace defective cabinets and accessories or repair any defects in the cabinets and accessories within a commercially reasonable period of time. This 5-Year Limited Warranty is effective for products purchased on or after March 1, 2024.

# DAKOTA

## LOCATIONS

**ALBUQUERQUE, NM**  
505-644-WOOD (9663)

**EL PASO, TX**  
915-590-WOOD (9663)

**RUSTON, LA**  
318-436-4966

**AMARILLO, TX**  
806-737-WOOD (9663)

**HOUSTON, TX**  
713-939-WOOD (9663)

**SAN ANTONIO, TX**  
210-967-WOOD (9663)

**AUSTIN, TX**  
512-389-9773

**LAFAYETTE, LA**  
337-232-2628

**TULSA, OK**  
918-442-1169

**DALLAS, TX**  
972-677-7437

**PUNTA GORDA, FL**  
239-837-WOOD (9663)

**WACO, TX**  
254-772-WOOD (9663)